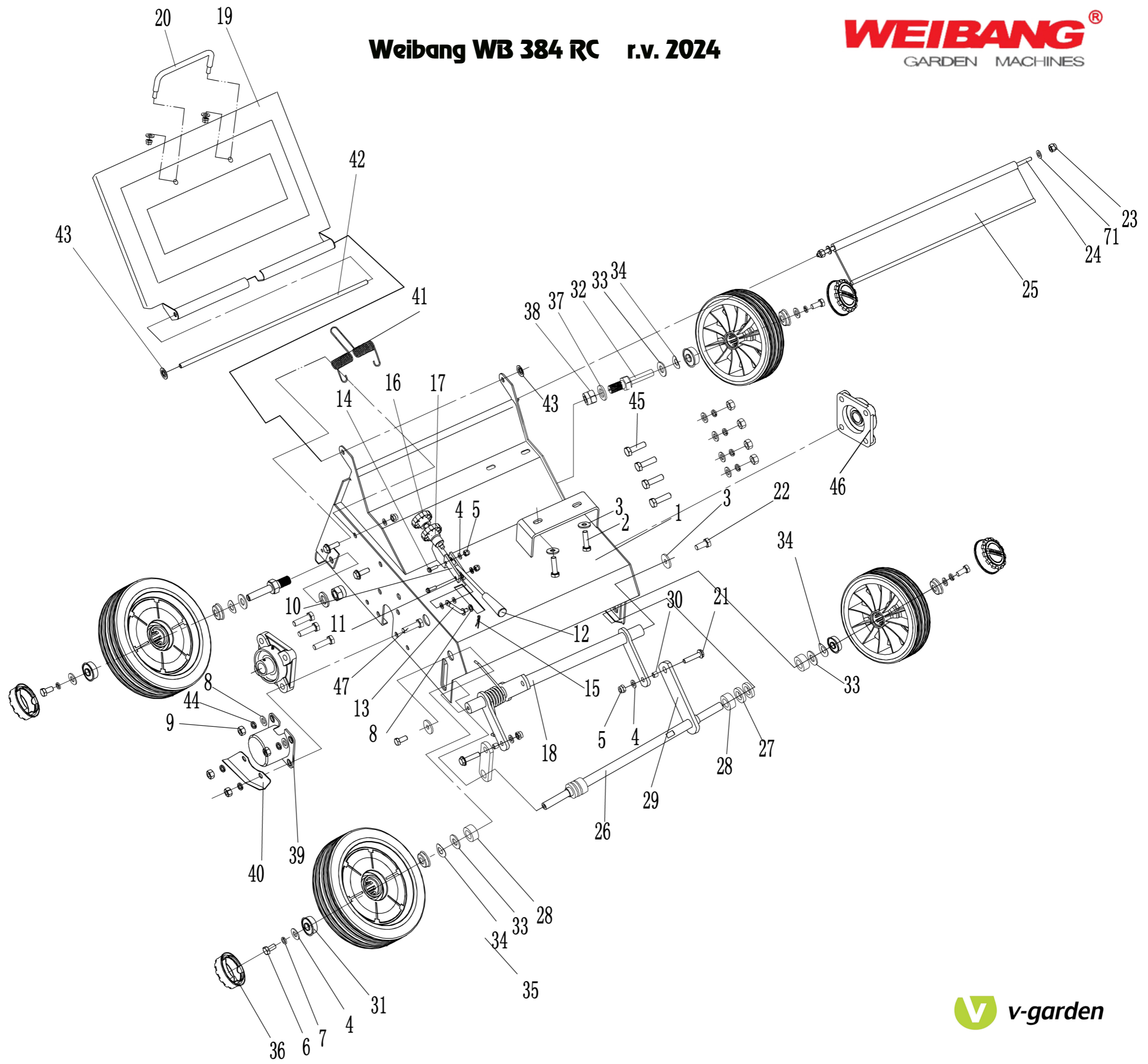


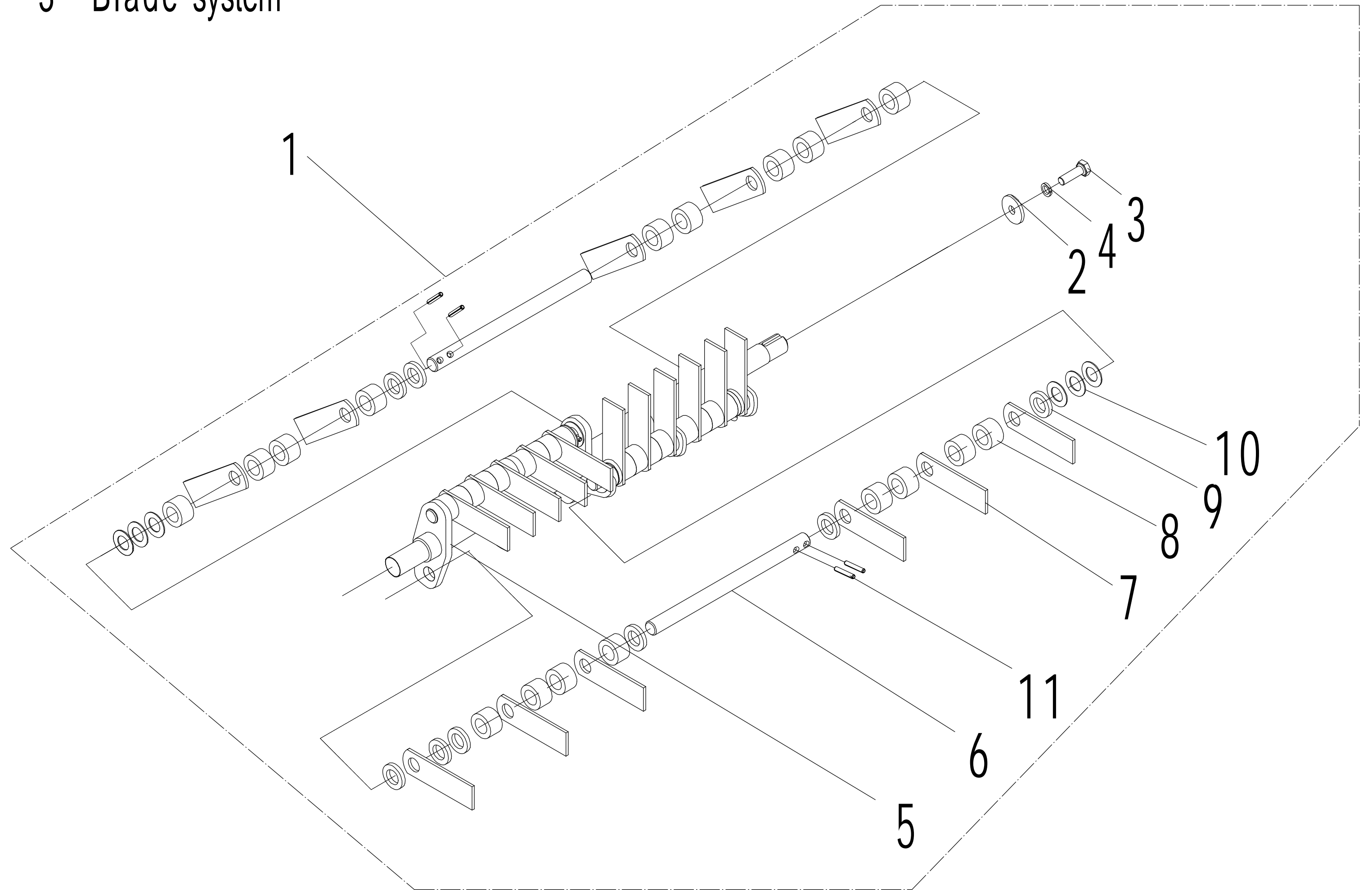
2 Main body

Weibang WB 384 RC r.v. 2024



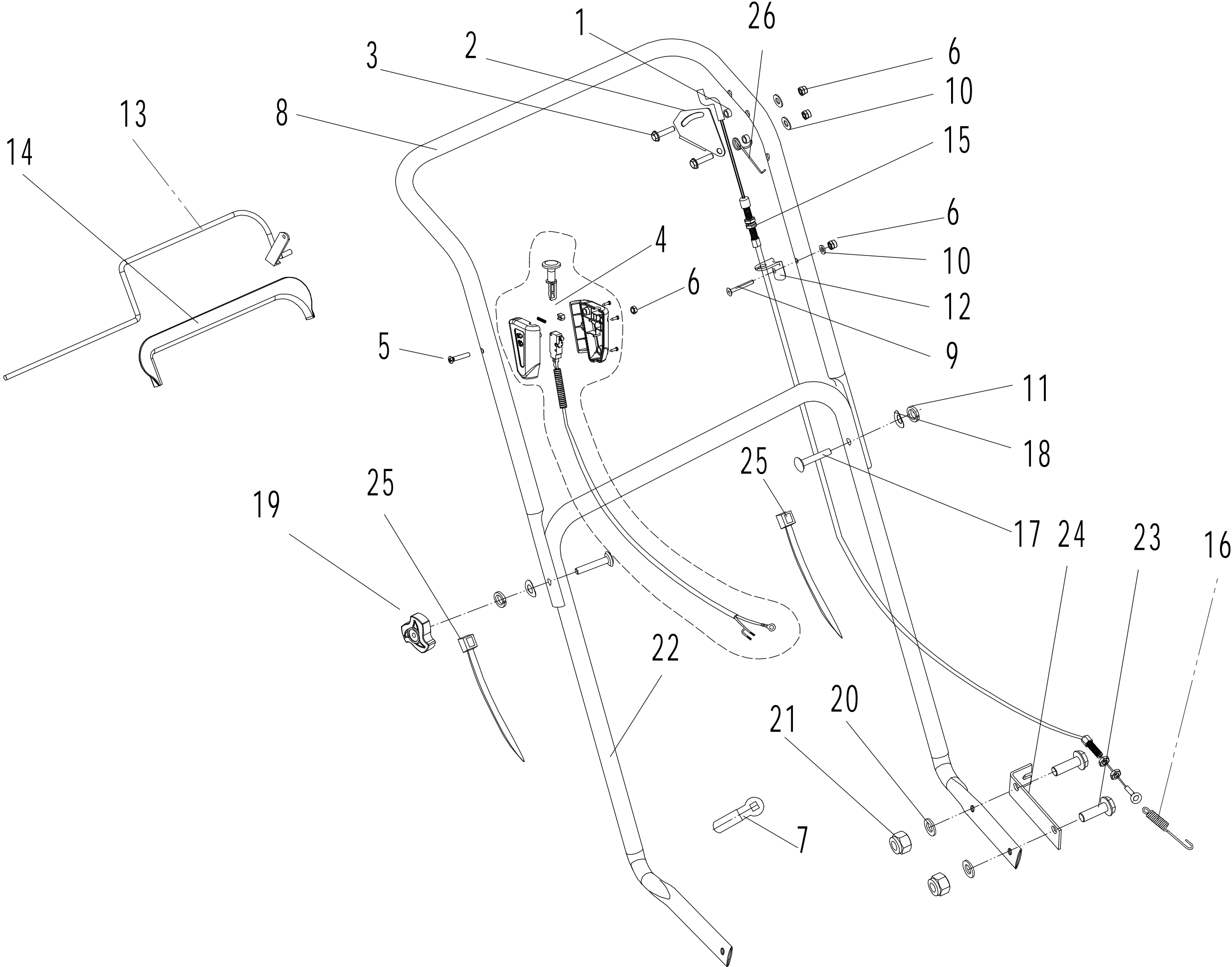
Part 2 - Main Body Spare parts		
No.	ID Zboží	Název
1	40R0101000/49	Chassis
2	0101008045	Hex Bolt
3	0303008000	Big Washer
4	0301008000	Flat Washer
5	0207008000	Lock Nut
7	0401008000	Spring Washer
8	0301010000	Flat Washer - M10
9	0201010000	Nut - M10
10	40R0131010/49	Adjustment Lever
11	48R0308010	Nylon Spacer
12	46R0137010	Adjustment Lever Sleeve
13	40R0119051/49	Adjustment Lever Hook
14	0102008035	Flange Bolt
15	5320333010	Check Ring
16	46R0138010	Plastic Grip
17	40R0906000	Plastic Grip
18	40R0119000/49	Lever Axle
19	40R0114010/22	Rear Cover
20	4810108002/01	Rear Cover Handle
21	0102008025	Flange Bolt
22	0102008016	Hex Bolt
23	0202006000	Lock Nut
24	5340116010/02	Trailing Flap Pivot
25	5330125010	Trailing Flap
26	40R0301010/02	Front Axle
27	48R0201030	Spacer
28	48R0201040	Spacer 1
29	40R0214021/49	Conncting Rod
30	48R0205010/02	Conncting Rod Partition
31	5310213010	Bearing
32	40R0208020/02	Rear Axle
33	5310210010/02	Axle Washer
34	5310211010/04	Spacer
35	GM53D040000000	Wheel
36	GM53D060000030	Wheel Cap
37	0301012000	Flat Washer
38	0202012000	Lock Nut
39	48R0312010/22	Axle Head Sheath
40	48R0105020/49	Chassis Protection Plate
41	40R0115010	Rear Cover Spring
42	40R0116010/02	Rear Cover Axle
43	4510114030	Fix Cap
44	0401010000	Spring Washer
45	0101010030	Bolt
46	UCF204	Bearing With Holder
47	0101010035	Bolt

3 Blade system



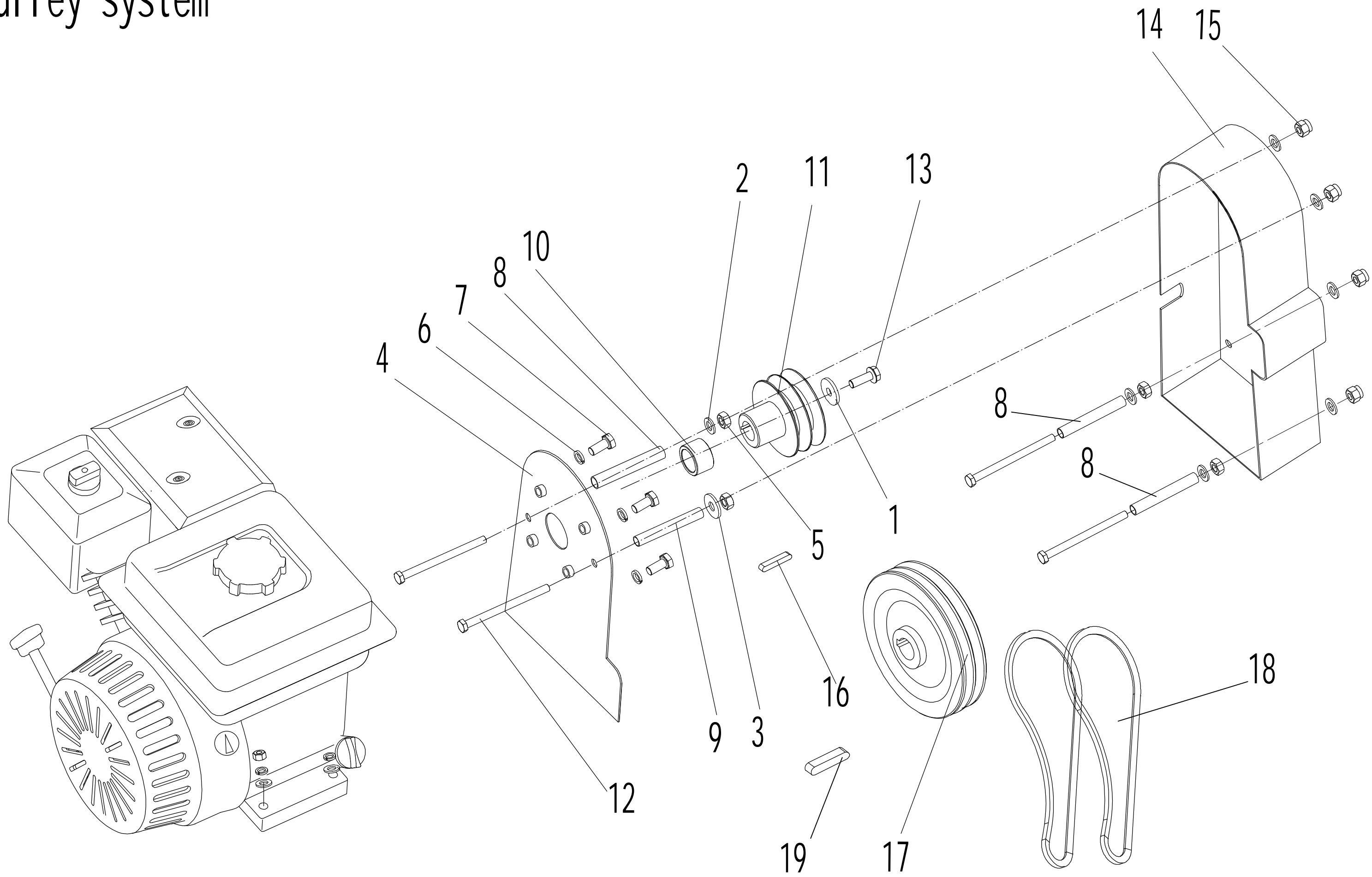
Part 3 - Blade Component Spare parts		
No.	ID Zboží	Název
1	40R0305000	Swing Blade Assembly
2	0303008000	Big Washer
3	0101008015	Bolt
4	0401008000	Spring Washer
5	40R0305010/22	Rotor Weldment
6	40R0304010/04	Blade Pivot
7	46R0306010/04	Blade
8	48R0306010	Blade Spacer II
9	48R0307010	Blade Spacer I
10	48R0308010	Nylon Spacer
11	0701004025	Spring Pin

4 Handle and controls



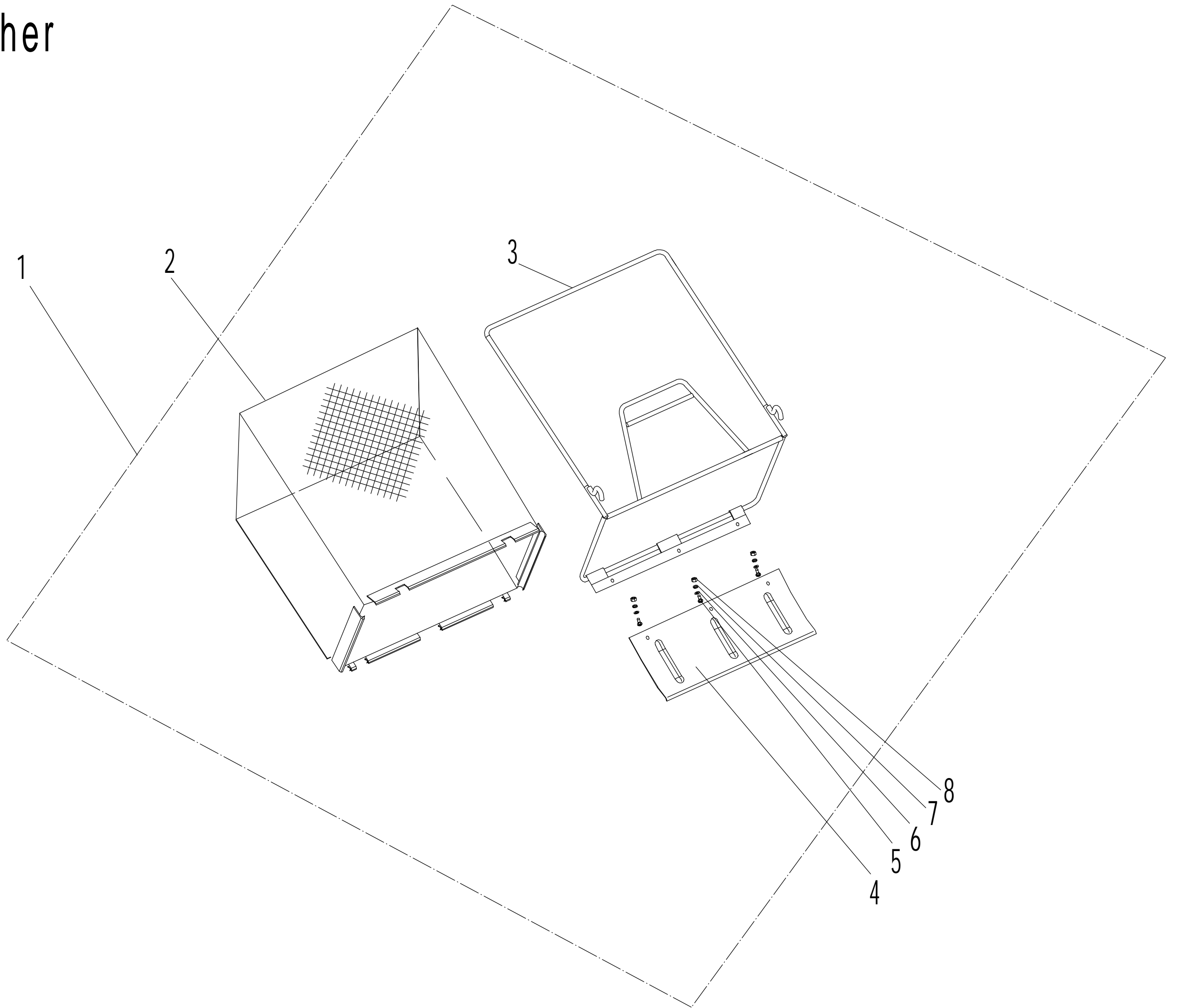
Part 4 - Handle and controls parts list		
No.	ID Zboží	Název
1	40R0501013	Upper Handle Limit Plate Partition
2	40R0501012/49	Upper Handle Limit Plate
3	0104006040	Screw - M6*40
4	YJQD/40R	Switch
5	0108006035	Screw
6	0202006000	Nut
7	40E0109000	Cable Pressing Bracket
8	40R0501010/22	Upper Handle
9	0104006030	Bolt
10	0301006000	Flat Washer
11	0401008000	Spring Washer
12	48R0404020/02	Cluth Cable Bracket
13	40R0502000/22	Clutch Lever Weldment
14	40R0502001	Handle Cover
15	48R0409030	Clutch Cable
16	48R0410010	Spring
17	5310510010/01	Screw
18	4510510010/01	Arc Washer
19	4820541010	Knob
20	0301010000	Flat Washer
21	0202010000	Lock Nut
22	40R0503010/22	Lower Handle
23	0102010025	Flange Bolt
24	48R0414010/02	Lower Cable Bracket
25	ZD8/200	Cable Ties
26	40R0501014	Upper Handle Limit Spring

5 Pulley system



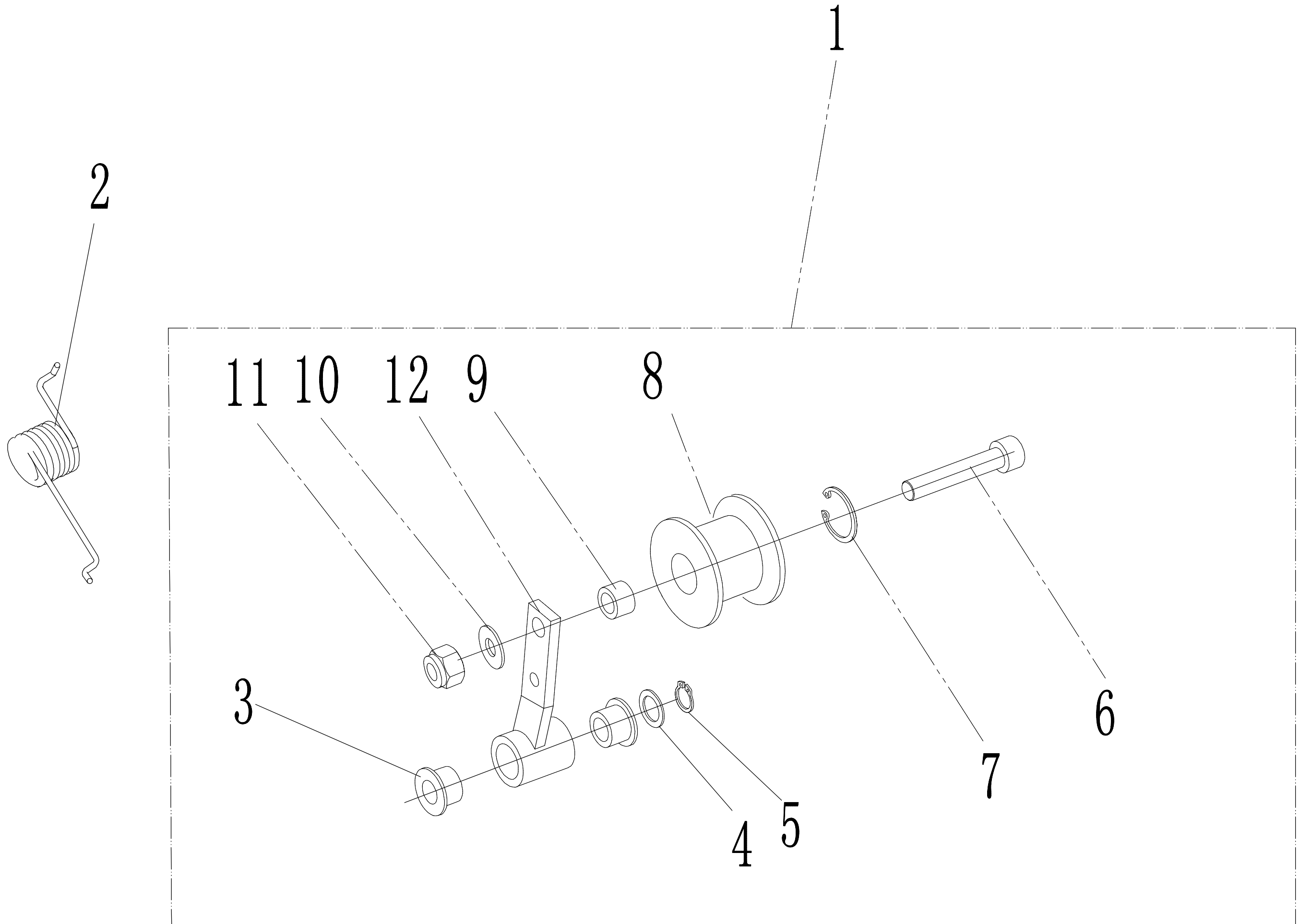
Part 5 - Pulley System parts list		
No.	ID Zboží	Název
1	0303008000/02	Big washer
2	0301008000	Flat washer
3	0302008000	Big washer
4	40R0118020/49	Engine Plate
5	0202008000	Nut
6	0401008000	Spring Washer
7	40R0109013	Bolt
8	40R0117010/02	Shield Partition
9	40R0107022/02	Shield Partition
10	40R0119111/02	Engine Pully Partition
11	40R0133010/04	Engine Pulley
12	0101008095	Bolt - M8*95
13	5340113020	Bolt
14	40R0136001/49	Belt Shield
15	0207008000	Lock Nut
16	1101005038	Key
17	40R0134010/04	Big Pulley
18	40R0124010	Belt
19	1101006030	Key

6 Grass catcher



Part 6 - Grass Catcher Spare parts		
No.	ID Zboží	Název
1	40R0603000/84	Grass Catcher Assembly
2	40R0603000	Grass Bag
3	40R0602000/22	Grass Catcher Frame
4	40R0602070	Grass Bag Deflector
5	0107006014	Square Neck Bolt - M6x14
6	0301006000	Flat Washer - 6
7	0401006000	Spring Washer - 6
8	0201006000	Nut - M6

Tensional part



Part 7 - Tensional part parts list		
No.	ID Zboží	Název
1	Y0940R	Tensioner assembly
2	40R0107024	Torsional Spring
3	48R0113010	Nylon Bush
4	0301012000	Flat Washer
5	1001012000	Check Ring
6	0103010050	Bolt
7	0901026000	Check Ring For Hole
8	40R0135000	Tensioner assembly
9	40R0135030/02	Outside Partition
10	0301010000	Flat Washer
11	0202010000	Lock Nut
12	48R0111010/02	Tensional Arm