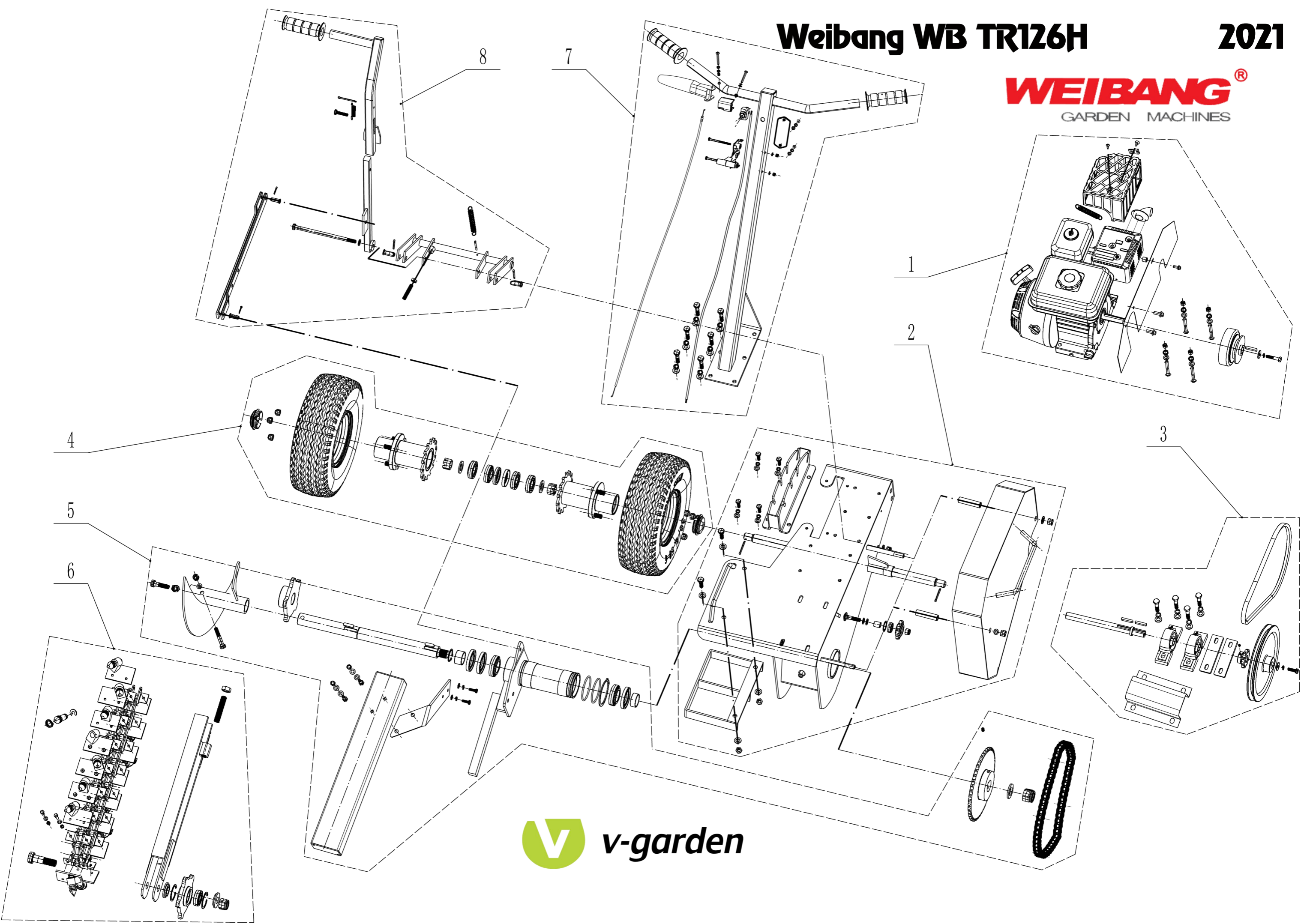


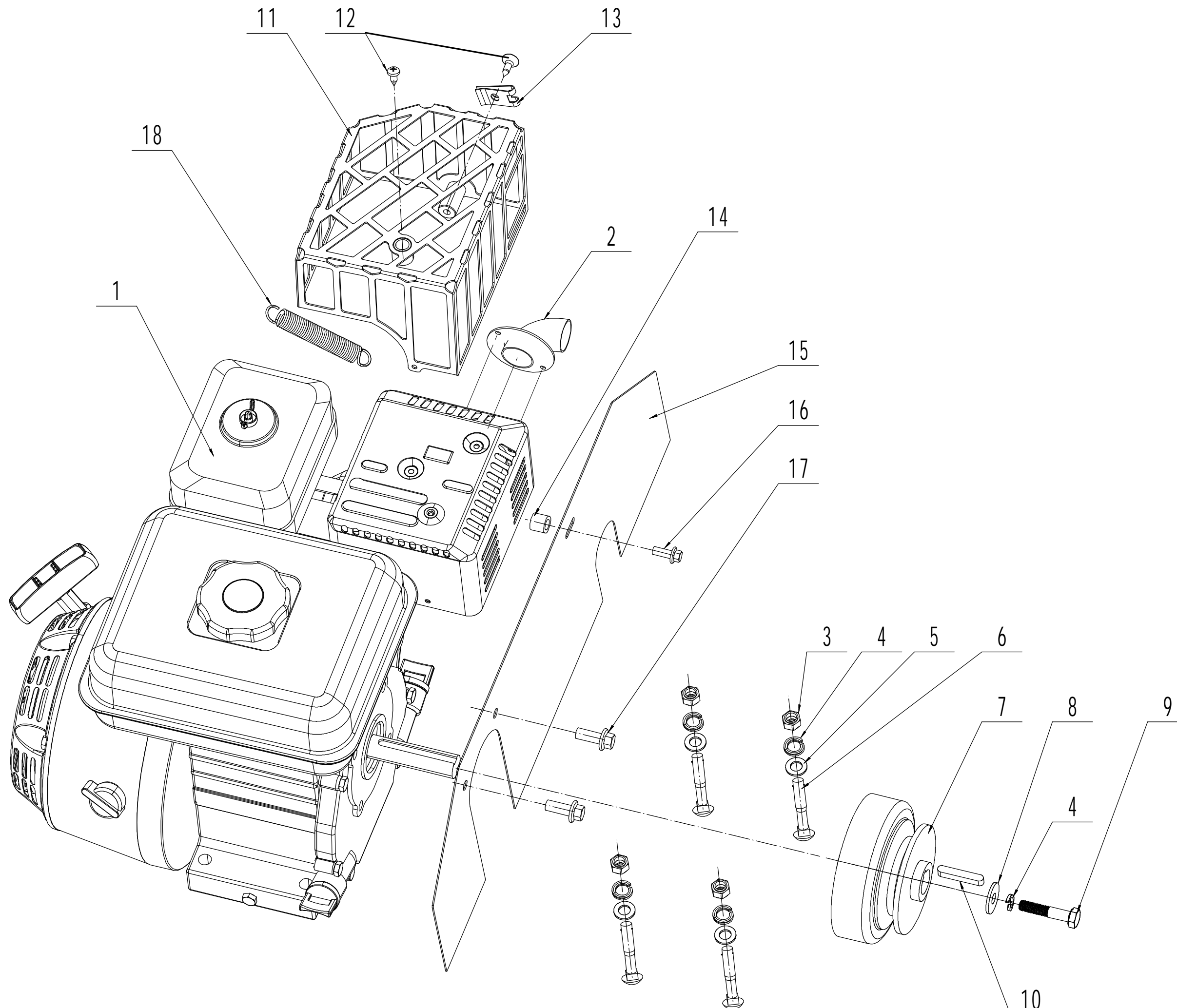
Weibang WB TR126H

2021

WEIBANG[®]
GARDEN MACHINES



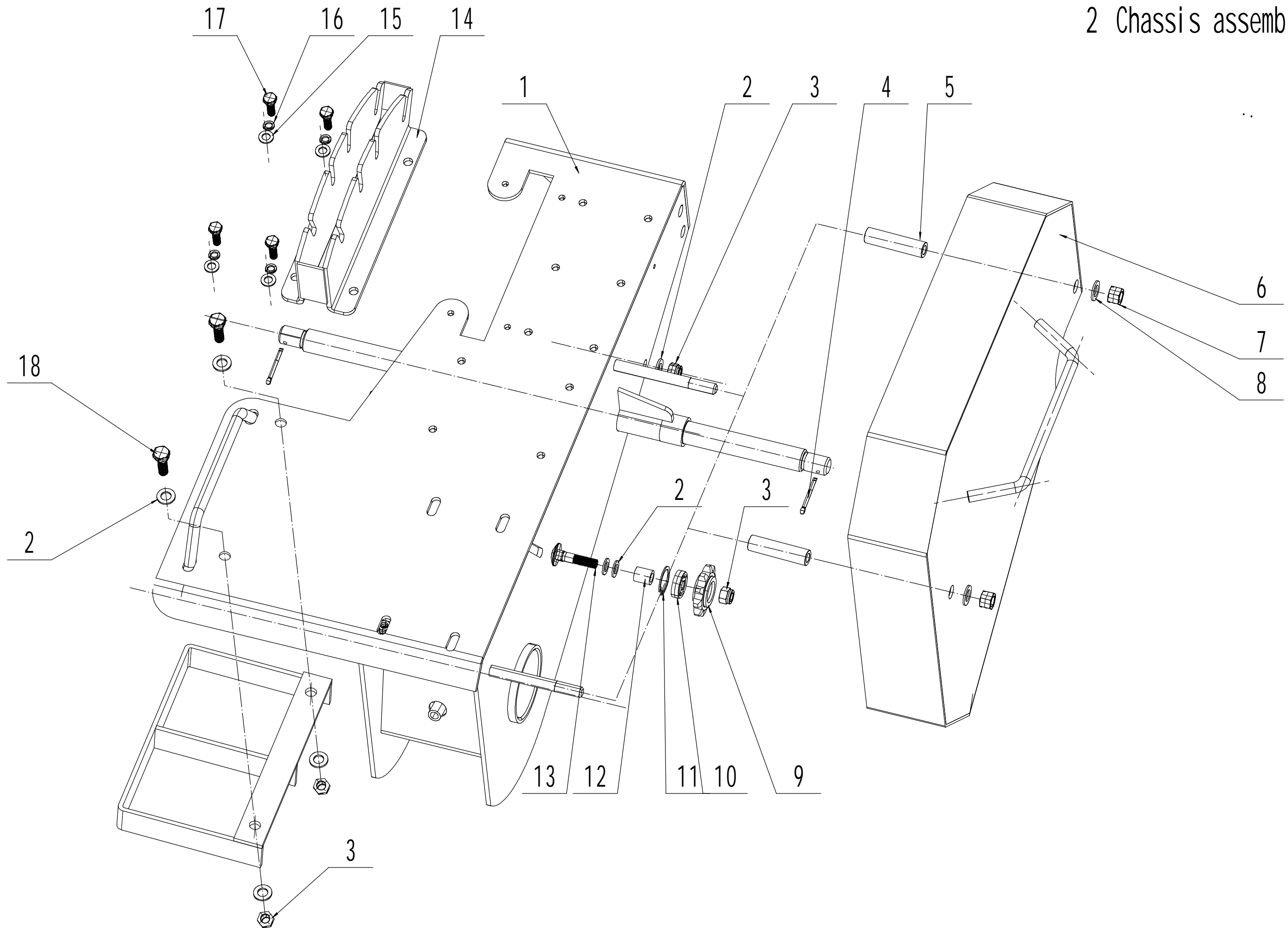
WBTR126H
1 Engine Part



1 - Engine part		
No.	ID Zboží	Název
1		
2	KG12030070	Exhaust pipe
3	0202008000	Nut - M8
4	0401008000	Spring washer - 8
5	0301008000	Washer - 8
6	0107008045	Bolt - M8x45
7	KG12030010	Clutch
8	0302008000	Washer - 8
9	0101008040	Bolt - M8x40
10	1101005038	Key
11	KG12030750/22	Safety Cover
12	0106005013	Screw - ST4.8x13
13	4SH3101010	Active Nut
14	KG12030940/02	Partition
15	KG12030025/49	Inner safety guard
16	0102006025	Bolt - M6x25
17	0102008016	Bolt - M8x16
18	KG12030737	Pull spring

WBTR126H

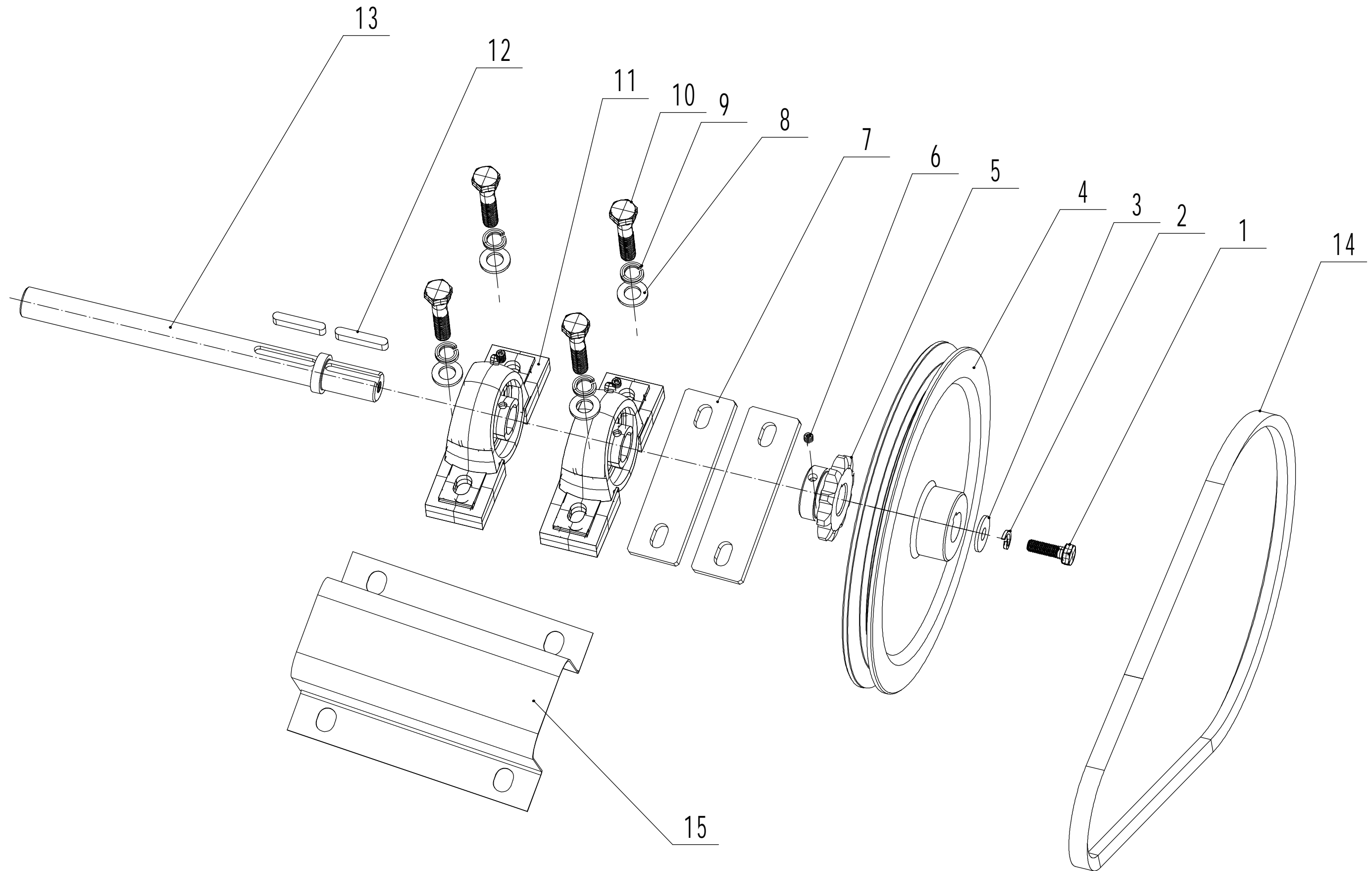
2 Chassis assembly



2 - Chassis assembly		
No.	ID Zboží	Název
1	KG12030090	Chassis
2	0301010000	Washer - 10
3	0202010000	Nut - M10
4	0501004036	Cotter Pin
5	KG12030590/04	Spacer
6	KG12030020/49	Shield
7	0201012000	Hex Nut - M12
8	0301010000	Washer - 10
9	KG12030120	Tensional Sprocket Wheel
10	6200	Bearing
11	0901030000	Check Ring
12	KG12030130/04	Spacer
13	0107008045	Bolt - M10x50
14	KG12030510	Graduator
15	0301008000	Washer
16	0401008000	Spring Washer
17	0101008025	Bolt - M8x25
18	0101010025	Bolt - M10x25

WBTR126H

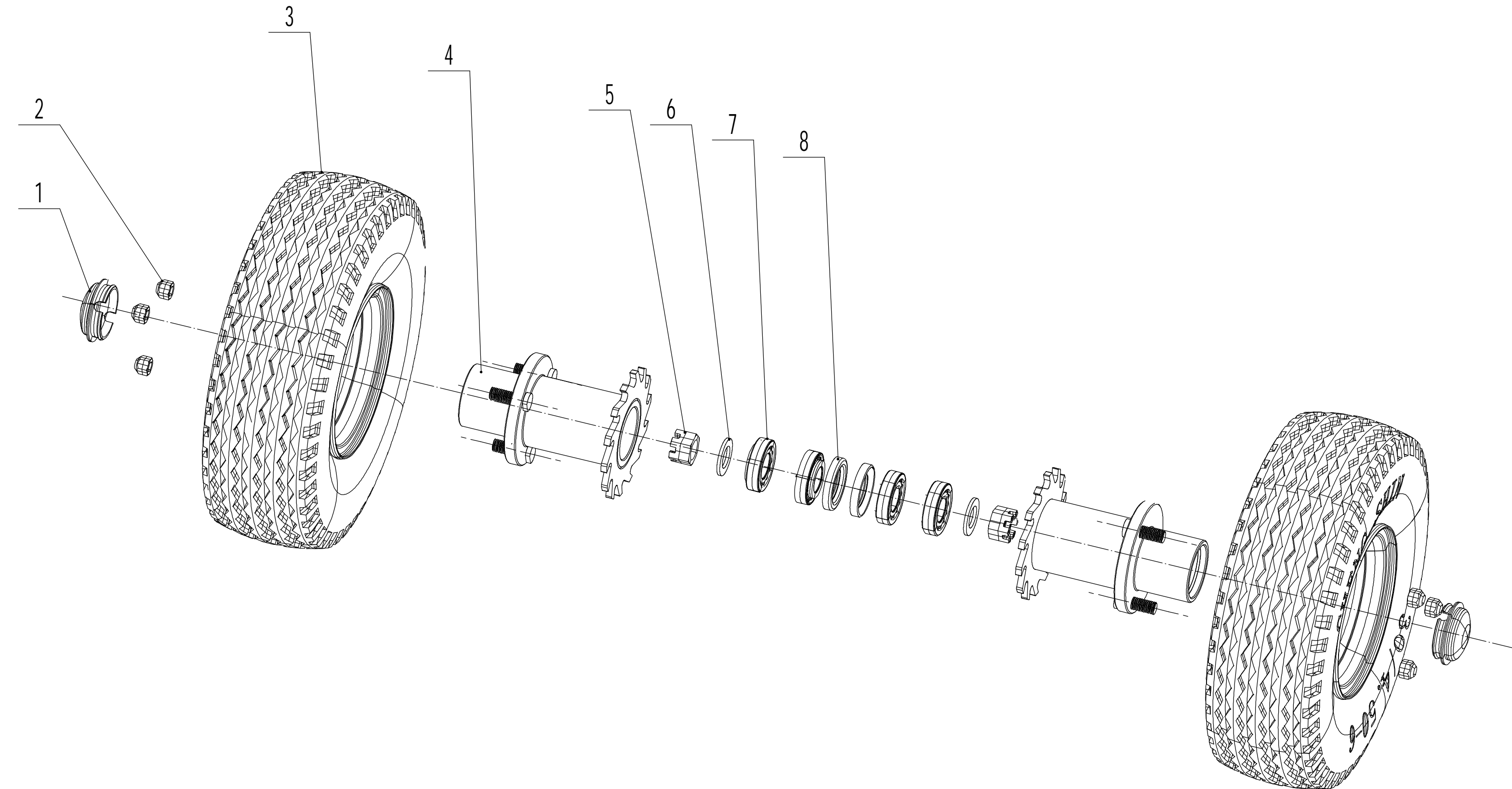
3 Pulley assembly



3 - Pulley assembly		
No.	ID Zboží	Název
1	0101008025	Hex Bolt - M8x25
2	0401008000	Spring Washer
3	0302008000	Big Washer
4	KG12030040	Big Pulley
5	KG12030050	Little sprocket
6	0105006008	Screw - M6x8
7	KG12030600	Spacer
8	0301010000	Washer
9	0401010000	Spring Washer
10	0101010045	Hex Bolt
11	UCP204	Spherical Surface Bearing Sets
12	1101006036	Key
13	KG12030080	Pulley Shaft
14	KG12030030	V Belt
15	KG12030840/49	Bearing shield

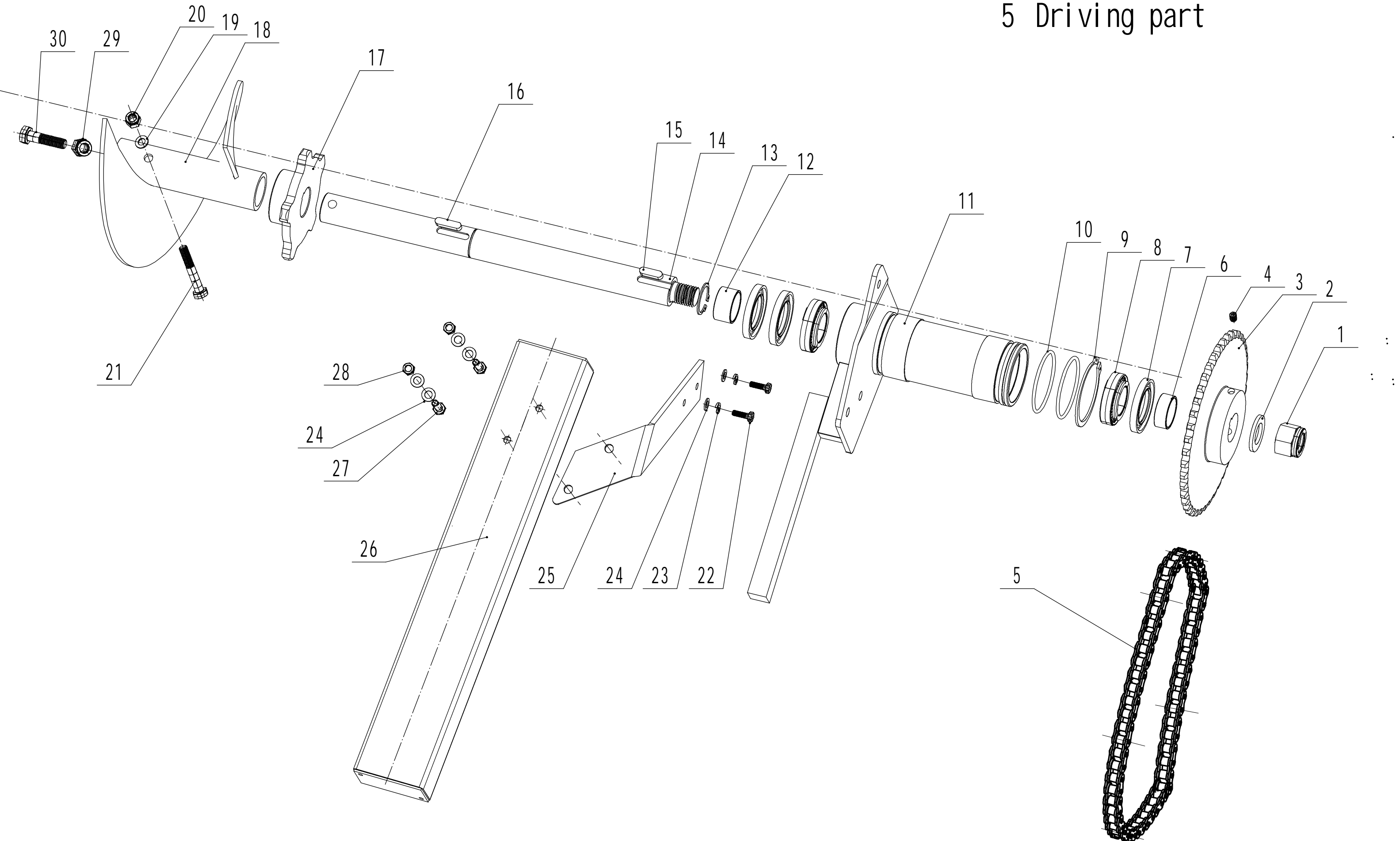
WBTR126H

4 Walking wheel assembly



4 - Walking wheel assembly		
No.	ID Zboží	Název
1	10FS040601	Hub Cap
2	8520223011	Hub Nut
3	TYLZ001	Wheel Assembly
4	KG12030390	Bearing Sheath
5	0212020001	Hex Slot Nut
6	0301020000	Washer
7	30205	Bearing
8	1503205208	Seal Ring

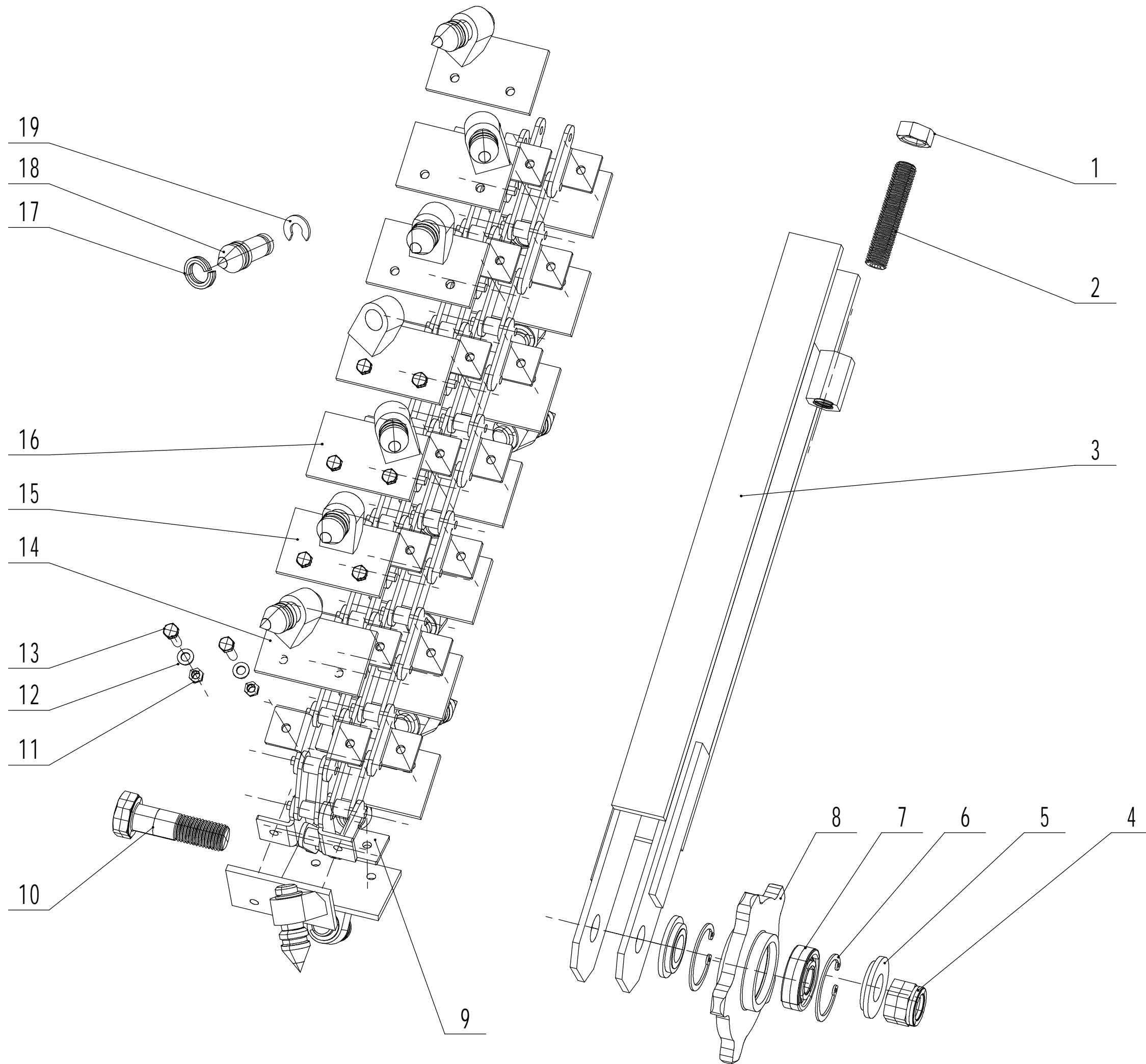
WBTR126H
5 Driving part



5 - Driving part		
No.	ID Zboží	Název
1	0202024000	Nut - M24
2	0301024000	Washer - 24
3	KG12030100	Big Sprocket
4	0105008020	Screw - M8x20
5	KG12030110	Chain
6	KG12030140	Spacer 1
7	KG12030150	Seal Ring
8	32007	Bearing
9	1001075000	Check Ring
10	1401069004	Seal Ring
11	KG12030180	Shaft Sheath
12	KG12030190	Spacer 2
13	1001035000	Check Ring
14	KG12030200	Shaft
15	1101008028	Key
16	1101008032	Key
17	KG12030210	Big Sprocket3
18	KG12030220	Helix
19	0301010000	Washer
20	0202010000	Hex Lock Nut
21	0101010060	Hex Bolt
22	0101008045	Bolt - M8x45
23	0401008000	spring washer
24	0301008000	Washer
25	KG12030231/22	Bending plate
26	KG12030240A/22	Bumper
27	0101008040	Bolt - M8x40
28	0202008000	Nut - M8
29	0201008000	Nut - M12
30	0101012045C	Bolt - M12x45

WBTR126H

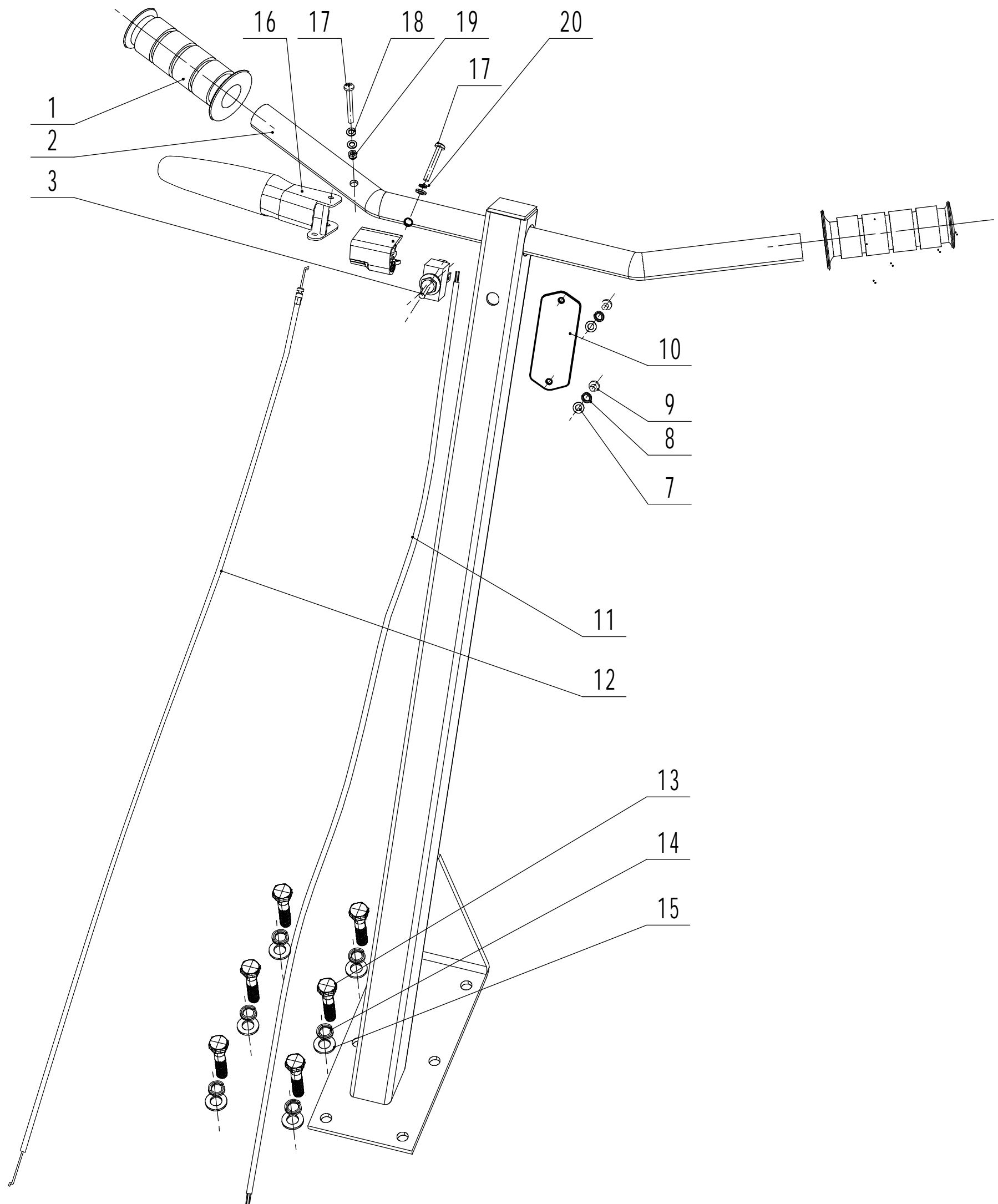
6 Big sprocket assembly



6 - Big sprocket assembly		
No.	ID Zboží	Název
1	0201016000	Hex Nut
2	0105016080	Inner Hex Lock Screw
3	KG12030250	Supporting arm
4	0202020000	Hex Lock Nut
5	KG12030281	Washer
6	0901047000	Check Ring
7	6304-2RS	Bearing
8	KG12030280	Big Sprocket Wheel 2
9	KG12030290	Chain
10	KG12030282/04	Hex Bolt
11	0202006000	Hex Lock Nut
12	0301006000	Washer
13	0101006020	Hex Bolt
14	KG12030300/04	Teeth Bracket 2
15	KG12030310/04	Teeth Bracket 1
16	KG12030320/04	Teeth Bracket 3
17	0401016000	Spring Washer
18	KG12030330/04	Teeth
19	KG12030340	Check Ring

WBTR126H

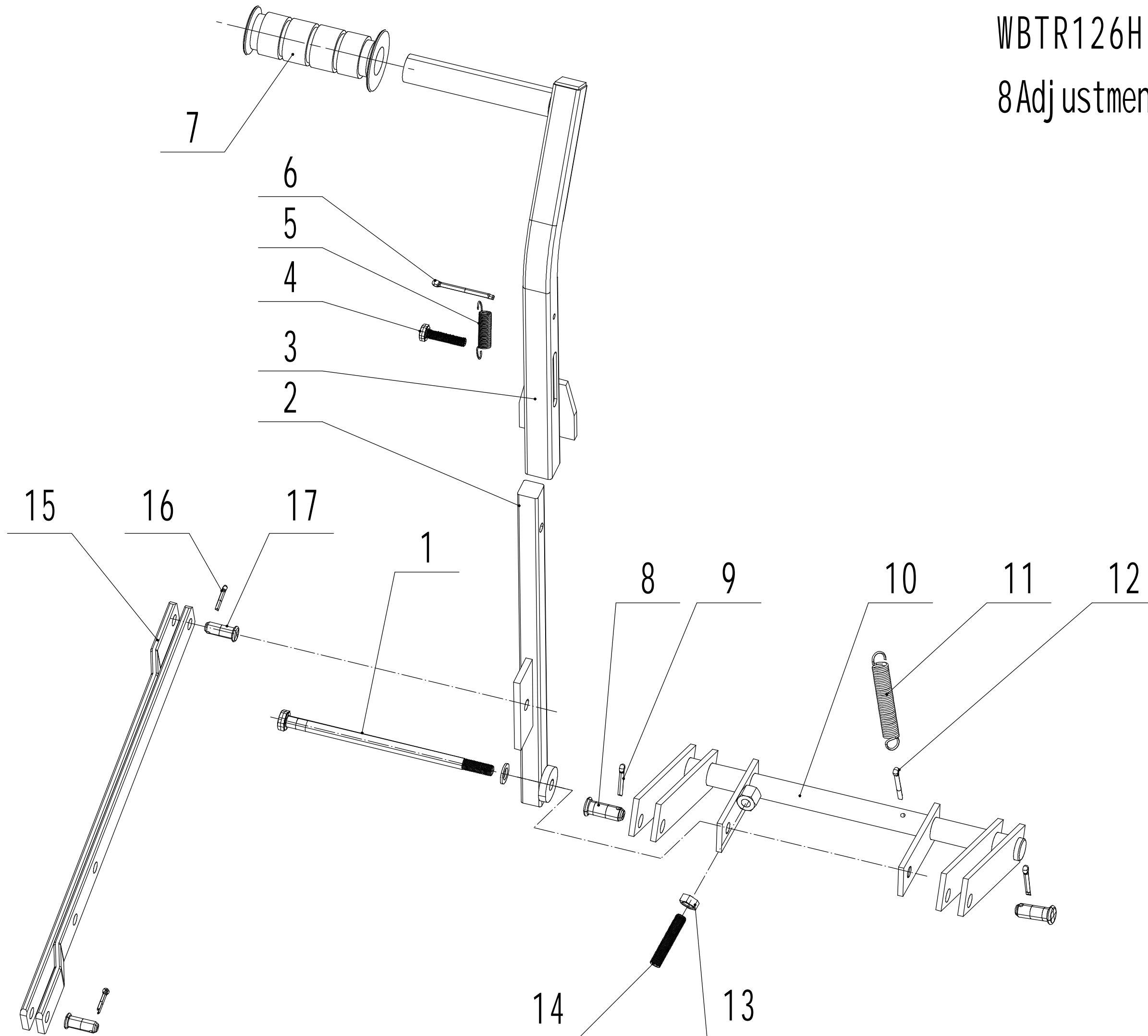
7 Handle assembly



7 - Handle assembly		
No.	ID Zboží	Název
1	45A0323010	Grip
2	KG12030440	Handle
3	KG12030450	Switch
7	0301005000	Washer
8	0401005000	Spring washer
9	0104005010	Screw
10	KG12030500	Switch Shield
11	KG12030490	Switch Wire
12	KG12030480	Throttle Cable
13	0101010030	Hex Bolt
14	0401010000	Spring Washer
15	0301010000	Washer
16	KG12030941/22	Throttle lever
17	0104006040	Screw
18	0301006000	Washer
19	0202006000	Nut
20	0401006000	

WBTR126H

8Adjustment Lever assembly



8 - Adjustment lever assembly		
No.	ID Zboží	Název
1	0101010190	Bolt - M10x190
2	KG12030400	Adjusting Rod
3	KG12030410	Adjusting Lever
4	0101008035	Bolt - M8x35
5	KG12030420	Spring
6	0501004045	Cotter Pin
7	45A0323010	Grip
8	0801012030	Shaft Pin
9	0501004020	Cotter Pin
10	KG12030520	Pawl
11	KG12030530	Spring 2
12	0501004036	Cotter Pin
13	0201010000	Nut - M10
14	0105010050	Screw - 10x50
15	KG12030540	Linkage
16	0501003016	Cotter Pin
17	0801010026	Shaft Pin