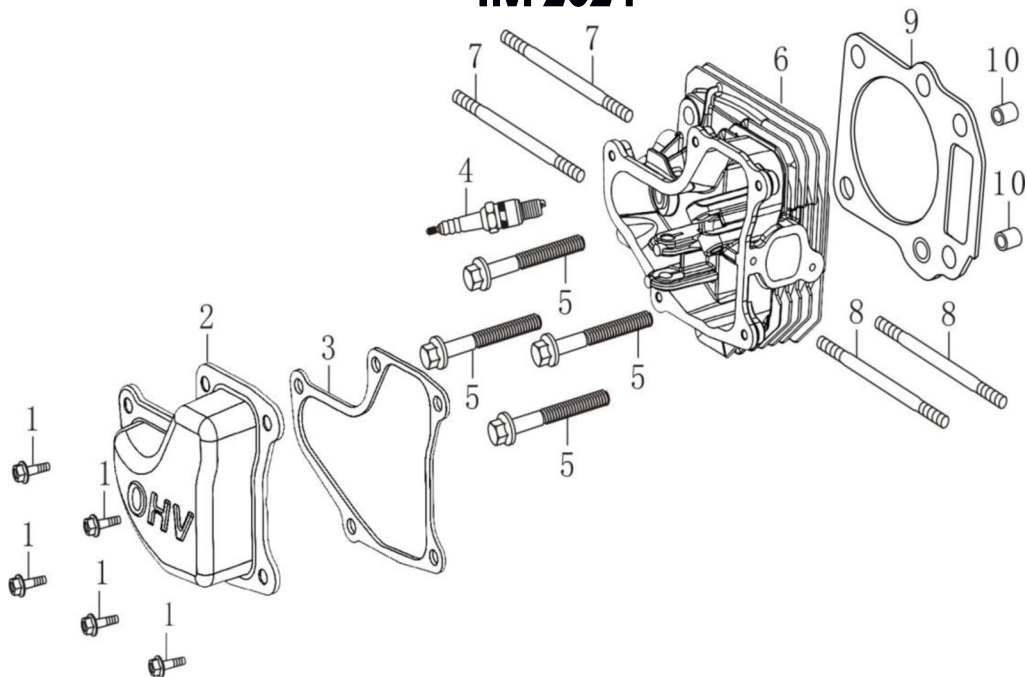
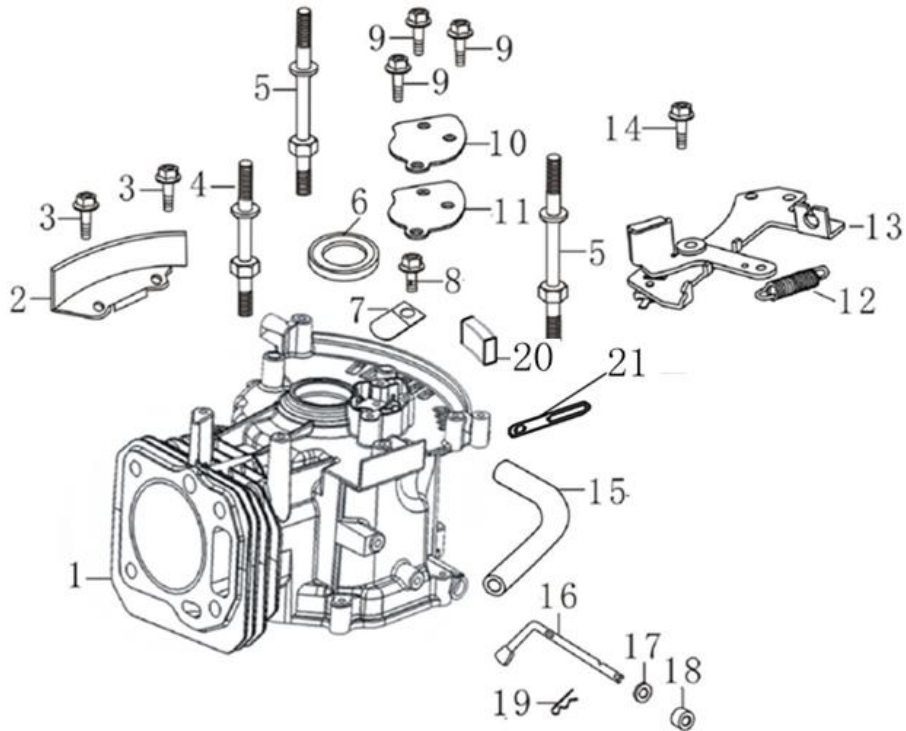


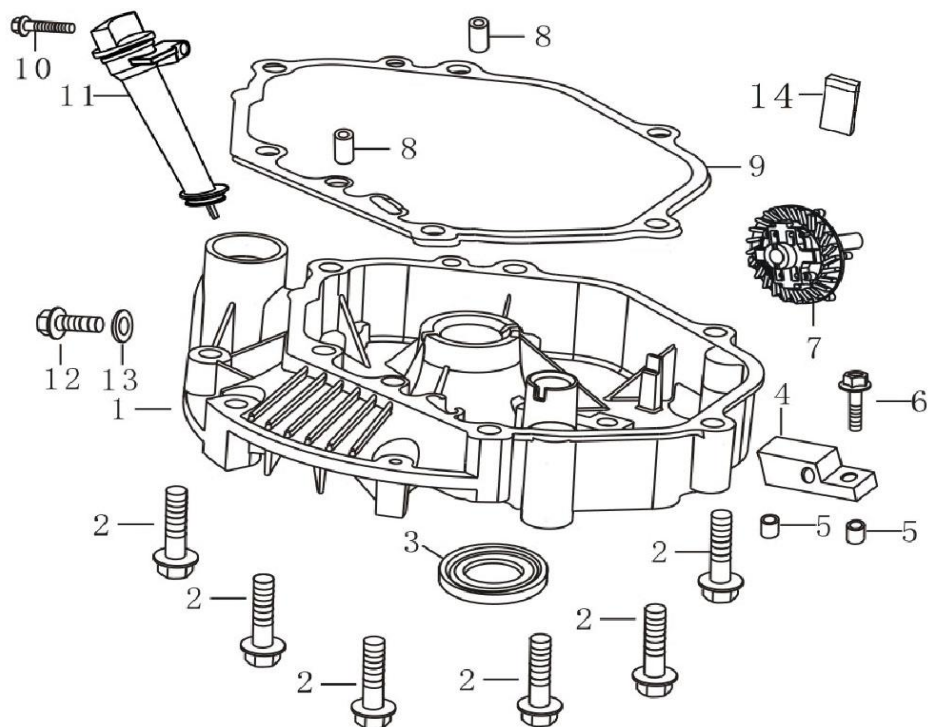
r.v. 2024



Part 1 CYLINDER HEAD		
No.	ID Zboží	Název
1	380020128-0001	Hexagon shaft shoulder bolt
2	120230098-0001	Cylinder head cover
3	120250037-0001	Gasket for cylinder head cover
4	270960056-0001	Spark plug
5	380140339-0001	Hexagon bolt with flange
6	120080553-0001	Cylinder head
7	380180207-0001	Stud
8	380180093-0001	Stud
9	120150197-0001	Gasket for cylinder head
10	380600117-0001	ocation pin

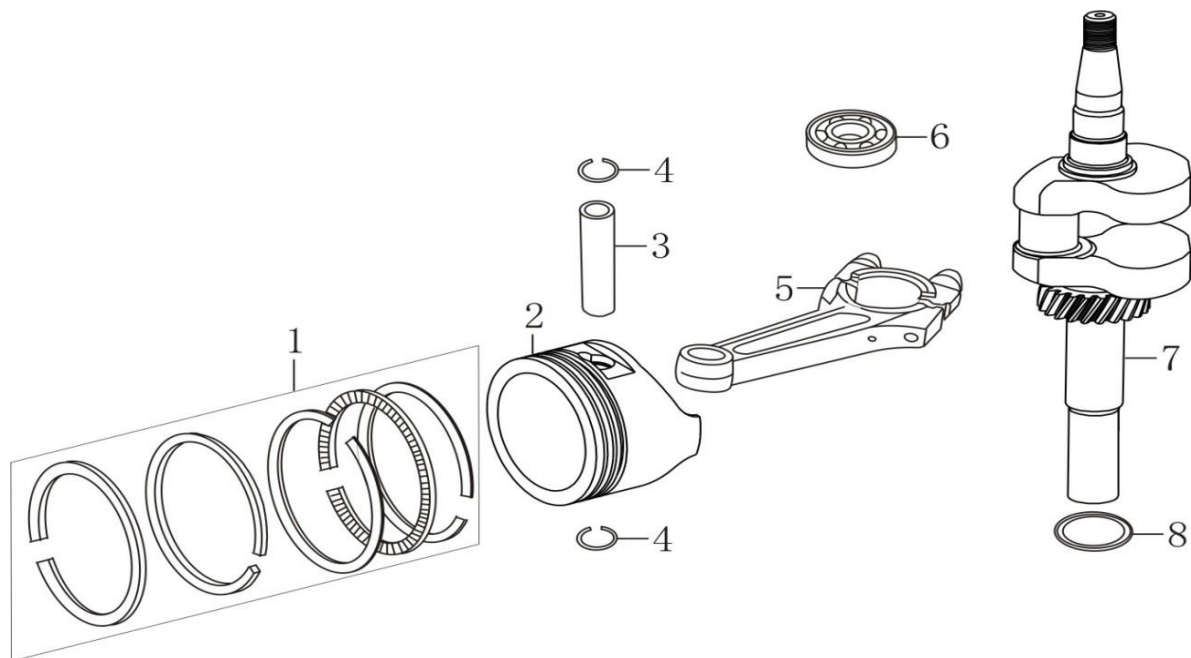


Part 2 CRANK CASE		
No.	ID Zboží	Název
1	110810215-0001	Crankcase body
2	160200048-0001	Side plate
3	380140013-0005	Hexagon bolt with flange
4	380850011-0001	Stay stud
5	380850012-0001	Stay stud
6	380650335-0001	Oil seal
7	140250026-0001	Leaf valve
8	380140037-0003	Hexagon bolt with flange
9	380140441-0001	Hexagon bolt with flange
10	110840011-0001	CAP,BREATHER CHAMBER
11	110850011-0001	PACKING, BREATHER CHAMBER
12	381140465-0001	Tension spring
13	293030020-0001	Engine brake
14	380140077-0005	Hexagon bolt with flange
15	380741254-0002	Breather tube
16	171630010-0002	Speed regulating arm
17	380450527-0001	Flat washer
18	380650338-0001	Oil seal
19	381350004-0001	Pin clip
20	150290026-0001	Engine oil Strainer
21	380940346-0003	Cable cleat

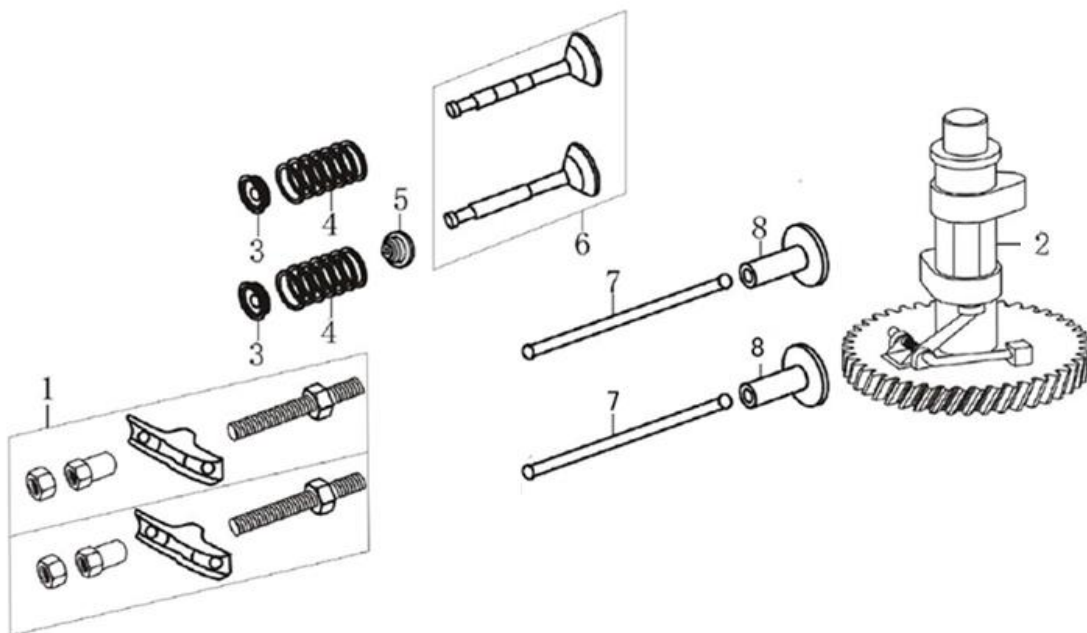


### Part 3 CRANK CASE COVER

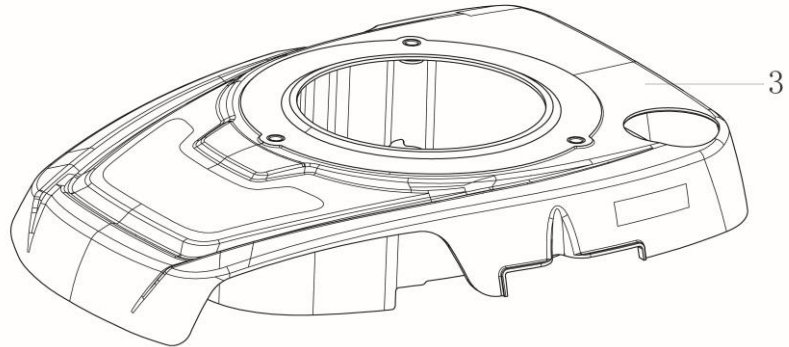
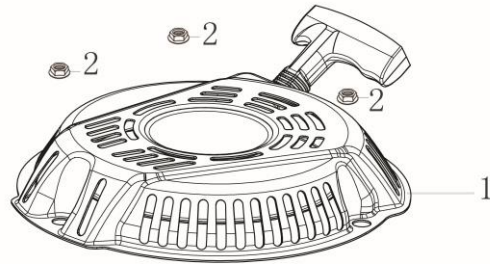
No.	ID Zboží	Název
1	110820024-0001	Crankcase cover
2	380140148-0005	Hexagon bolt with flange
3	380650347-0001	Oil seal
4	171640003-0001	Governor gear pressing plate
5	380600121-0001	ocation pin
6	380140077-0005	Hexagon bolt with flange
7	174280002-0001	Components of governor gear
8	380600120-0001	ocation pin
9	110830057-0001	Crankcase cover gasket
10	380140100-0003	Hexagon bolt with flange
11	110690016-0002	Oil rule combination
12	110260025-0001	Sealing plug screw
13	380450514-0001	Flat washer
14	150570002-0001	Engine oil return block



Part 4 CRANKSHAFT/PISTON		
No.	ID Zboží	Název
1	130070188-0001	Piston ring combination
2	130030269-0001	Piston
3	130060030-0001	Piston pin
4	380560055-0001	Steel cable baffle ring
5	130150122-0001	Connecting rod
6	380630137-0002	Bearing
7	130290531-0001	crankshaft
8	380450518-0001	Flat washer

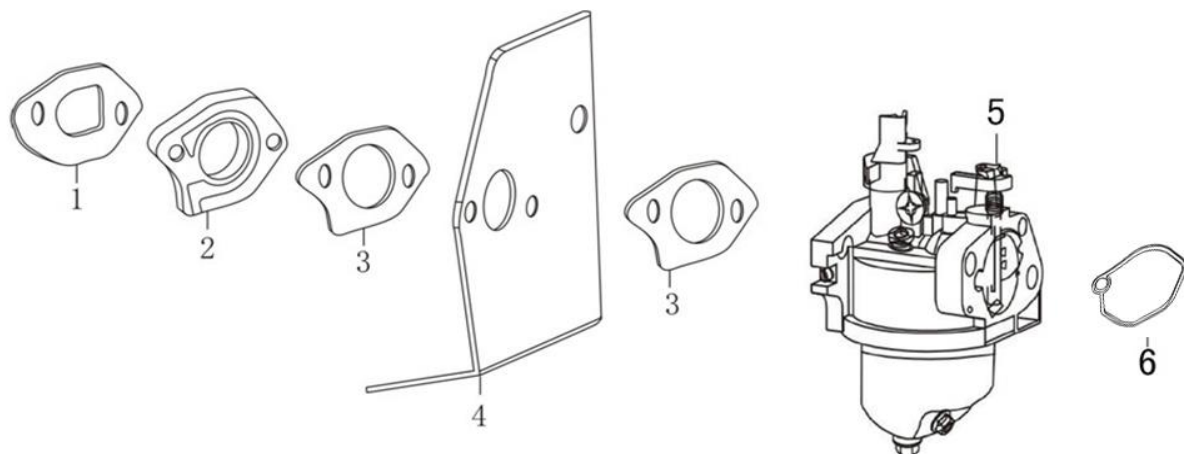


Part 5 CAMSHAFT		
No.	ID Zboží	Název
1	140450086-0001	Valve rocker combination
2	140020103-0001	Camshaft assy
3	140380020-0001	Retainer, valve spring
4	140340022-0001	Inner spring of valve
5	140400016-0001	Valve oil seal
6	500550067-0001	Valve Kit
7	140670007-0001	Push rod
8	140690002-0001	Lifter, Valve

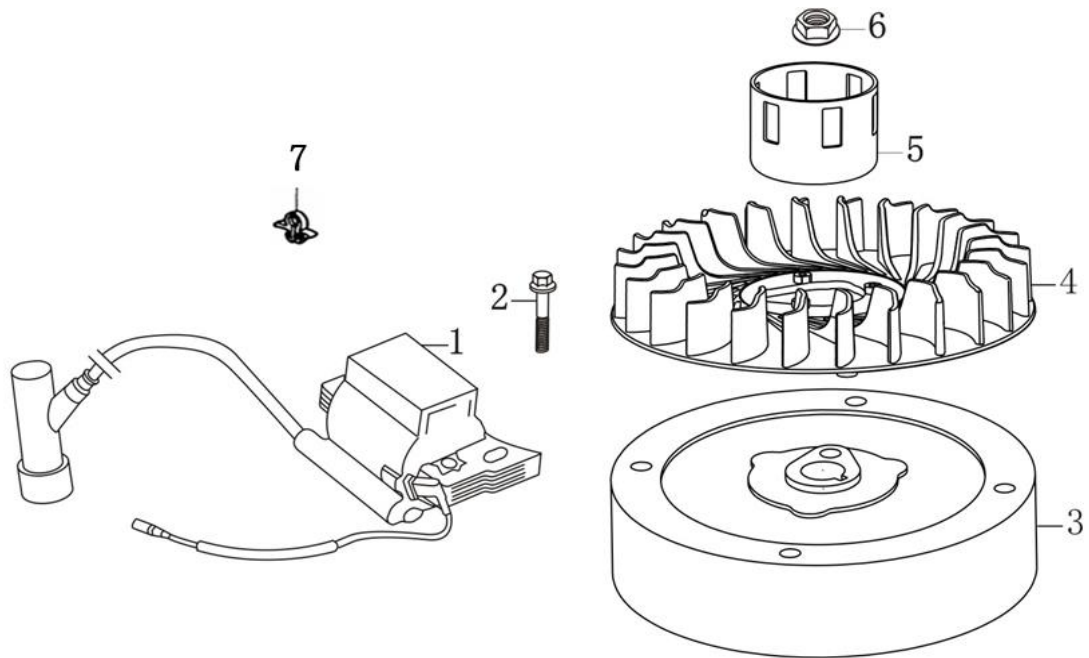


**Part 6 STARTER**

No.	ID Zboží	Název
1	193500143-0001	Manual starting components
2	380370066-0001	Hexagon nut with flange
3	160210140-0001	Fan cover comp.

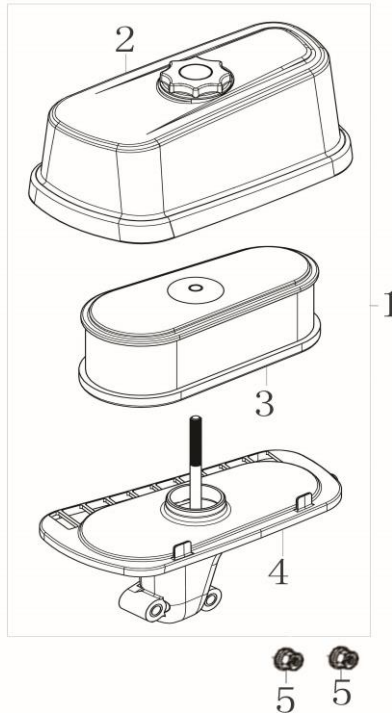


Part 7 CARBURETOR		
No.	ID Zboží	Název
1	170430155-0001	Carburetor gasket
2	170440079-0001	Heat insulating pad for carburetor
3	170430147-0001	Carburetor gasket
4	170450001-0001	Heat insulating plate for carburetor
5	170021995-0001	Carburetor
6	170430177-0001	Carburetor gasket

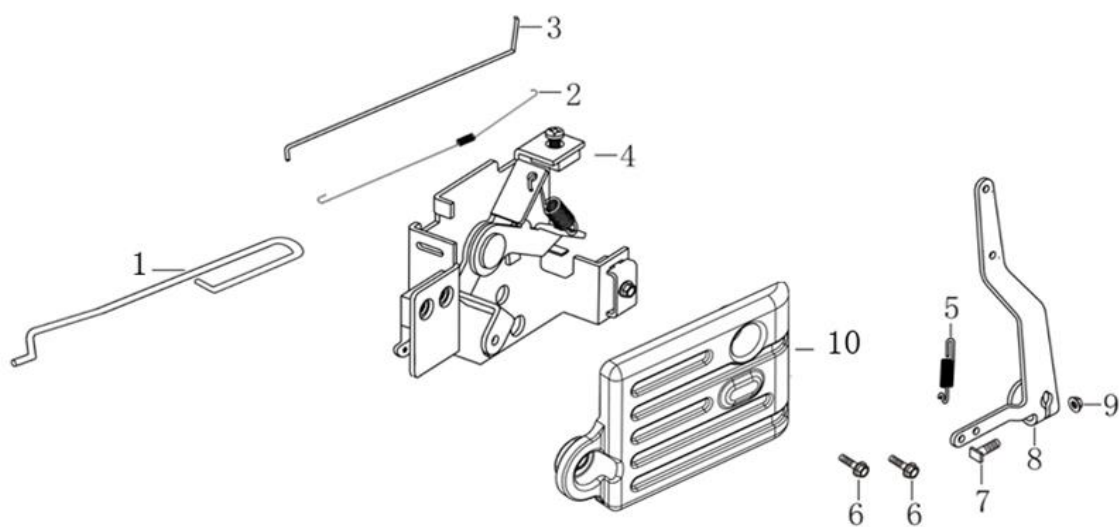


Part 8 FLYWHEEL/Ignition Comp		
No.	ID Zboží	Název
1	270920286-0001	COIL ASSY.,IGNNTION
2	380140103-0004	Hexagon bolt with flange
3	270020096-0001	FLYWHEEL COMP
4	160180015-0001	Impeller
5	193590005-0001	Starting disc
6	380370051-0001	Hexagon nut with flange
7	380930027-0001	Location wire nail

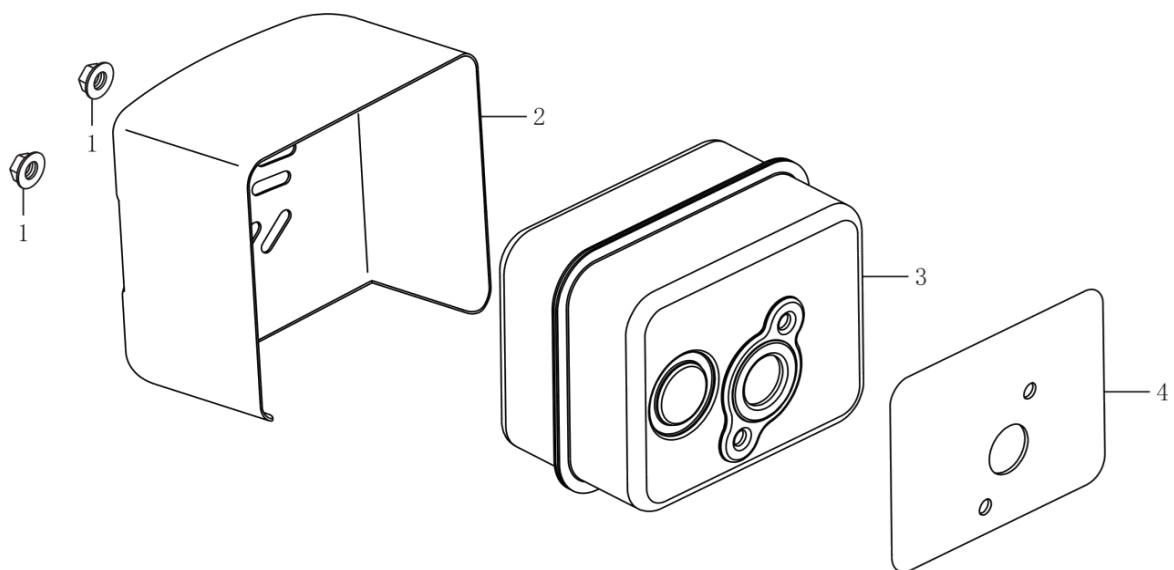




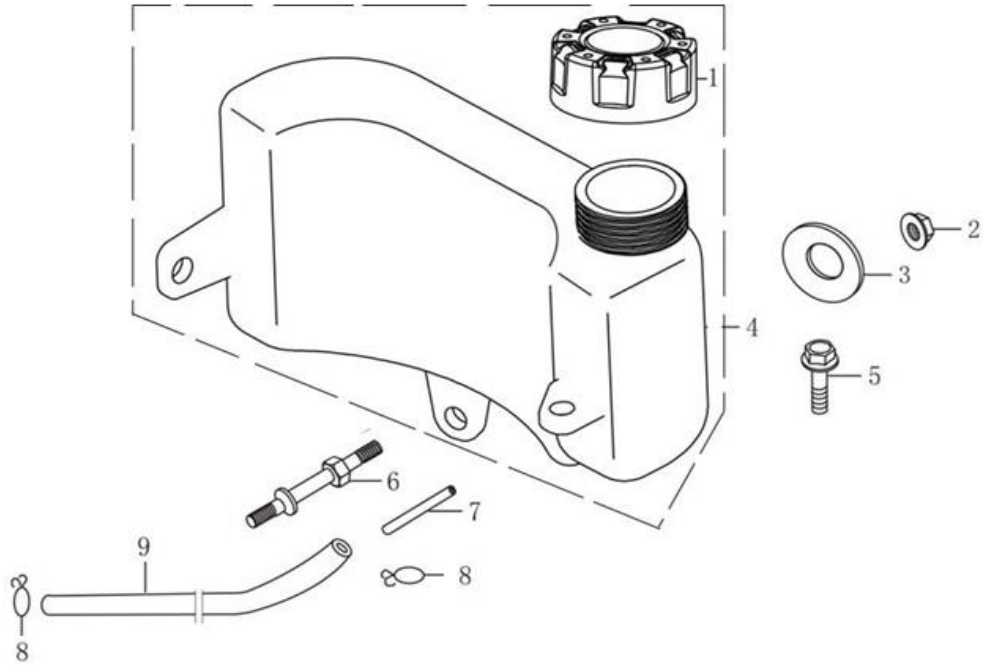
Part 9 AIR CLEANER		
No.	ID Zboží	Název
1	180020881-0001	Air filter seat
2	180070251-0001	Air filter casing cover
3	180130289-0001	Air filter element
	180130290-0001	Air filter element
4	180280114-0001	Air filter seat
5	380370066-0001	Hexagon nut with flange



Part 10 CONTROL SYSTEM		
No.	ID Zboží	Název
1	171650002-0001	Choke valve pull rod
2	171610015-0001	throttle return spring
3	171590007-0001	Throttle rod
4	171680146-0001	Throttle handle combination
5	171600018-0001	Governing spring
6	380140067-0003	Hexagon bolt with flange
7	380250002-0001	Square head set screw with flat point
8	171620016-0003	Speed regulating bracket
9	380370066-0001	Hexagon nut with flange
10	171740006-0001	Guard plate for throttle combination



Part 11 MUFFLER		
No.	ID Zboží	Název
1	380370048-0001	Hexagon nut with flange
2	180960026-0001	Muffler guard shield
3	180571313-0001	Muffler
4	180660065-0001	Muffler gasket



Part 12 FUEL TANK		
No.	ID Zboží	Název
1	170870156-0001	Tank cover
2	380370048-0001	Hexagon nut with flange
3	380450444-0002	Flat washer
4	170490355-0001	Tank
5	380140013-0005	Hexagon bolt with flange
6	380850003-0001	Stay stud
7	170010017-0001	Fuel filter
8	380950190-0001	Pipe clip
9	380750202-0002	Oil tube