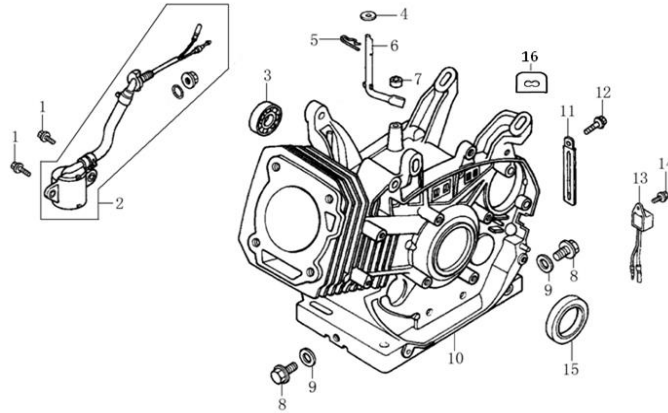


motor Loncin G420F K7458
r.v. 2024



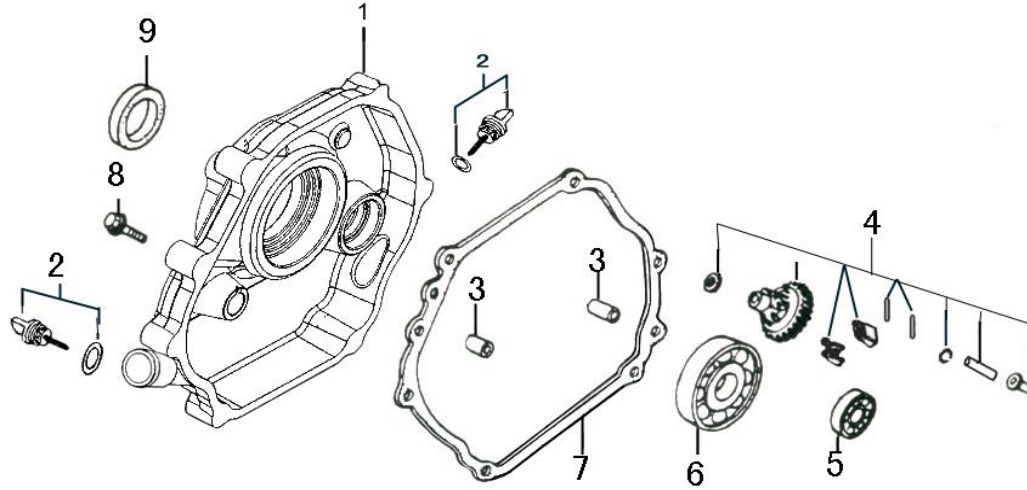
(Cylinder head)

No.	Part No.	Description	Reqd. QTY	CONSUMABLE GRADE
1	120080338-0001	Cylinder head	1	B
2	120420011-0001	Bolt combination for cylinder head cover	1	C
3	120220009-0001	Cylinder head cover assy	1	C
4	380840425-0001	Seal ring	1	A
5	380140337-0001	Hexagon bolt with flange	4	C
6	380740454-0001	Breather tube	1	A
7	380180099-0001	Stud	2	C
8	270960014-0001	Spark plug	1	A
9	120150141-0001	Gasket for cylinder head	1	A
10	380600116-0001	ocation pin	2	C
11	380180091-0001	Stud	2	C



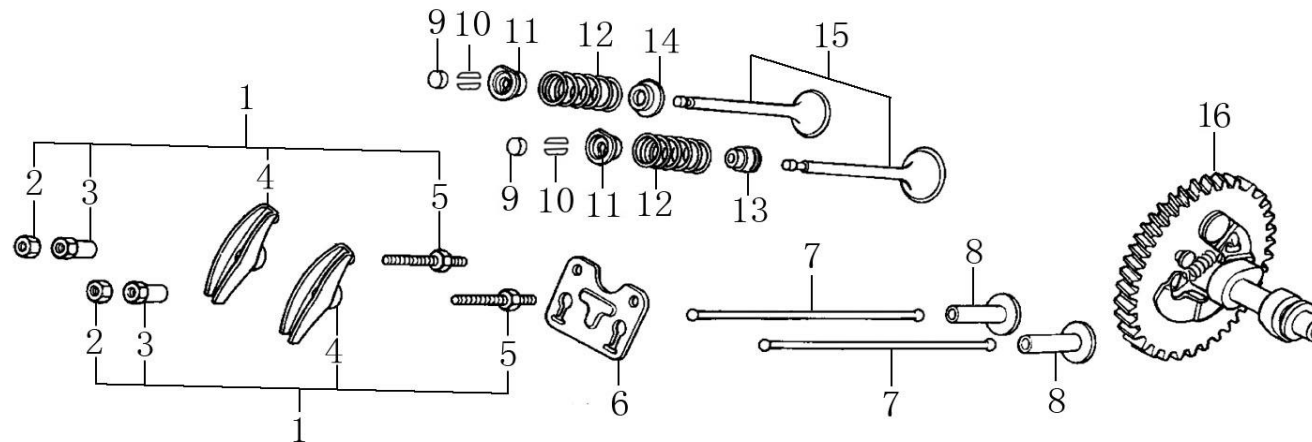
(Crankcase)

No.	Part No.	Description		
			Reqd. QTY	CONSUMABLE GRADE
1	380140215-0003	Hexagon bolt with flange	2	C
2	281850152-0001	Oil level sensor	1	B
3	380630099-0001	Bearing	1	B
4	380450522-0001	Flat washer	1	C
5	381350004-0001	Pin clip	1	A
6	171630003-0001	Speed regulating arm	1	B
7	380650339-0001	Oil seal	1	B
8	110260024-0001	Sealing plug screw	1	C
9	380450516-0001	Flat washer	2	C
10	110810028-0001	Crankcase body	1	B
11	380940346-0003	Cable cleat	1	A
12	380140001-0006	Hexagon bolt with flange	1	B
13	281890001-0001	Engine oil protector	1	A
14	380140001-0006	Hexagon bolt with flange	1	C
15	380650337-0001	Oil seal	1	B
16	380930023-0001	Location wire nail	1	A



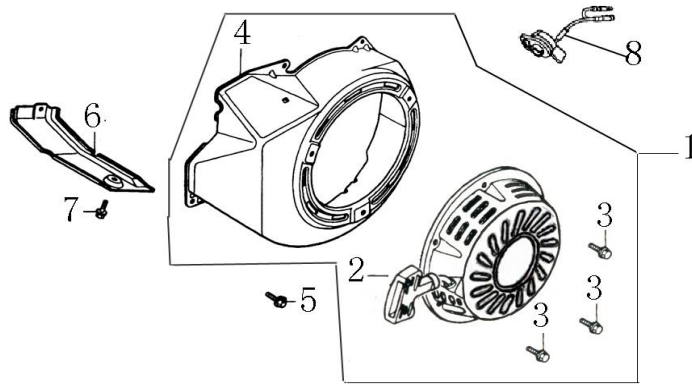
Crankcase cover)

No.	Part No.	Description	Reqd. QTY	CONSUMABLE GRADE
1	110820016-0001	Crankcase cover	1	C
2	110690097-0003	Oil rule combination	2	B
3	380600119-0001	ocation pin	2	C
4	171750046-0001	Components of governor gear	1	B
5	380630099-0001	Bearing	1	B
6	380630141-0002	Bearing	1	B
7	110830008-0001	Crankcase cover gasket	1	A
8	380140005-0006	Hexagon bolt with flange	7	C
9	380650337-0001	Oil seal	1	A



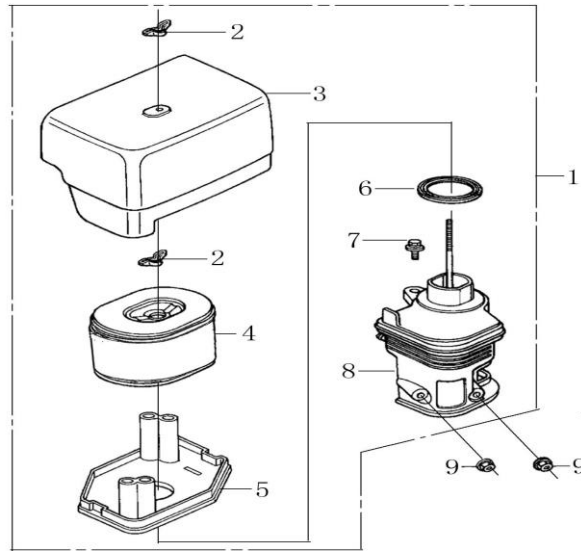
(Camshaft)

No.	Part No.	Description	Reqd. QTY	CONSUMABLE GRADE
1	140450023-0001	Valve rocker combination	2	B
2	140470001-0001	Valve lock nut	2	B
3	140490012-0001	Adjustable nut of valve	2	B
4	140460024-0001	Valve rocker	2	B
5	140480012-0001	Adjustable bolt of valve	2	B
6	140710002-0001	Plate, push rod guide	1	B
7	140670006-0001	Push rod	2	B
8	140690004-0001	Lifter, Valve	2	B
9	140320002-0001	Valve adjustment cap	2	B
10	140390015-0001	Valve locker	4	B
11	140380021-0001	Retainer, valve spring	2	B
12	140340025-0001	Inner spring of valve	2	A
13	140400012-0001	Valve oil seal	1	A
14	140360010-0001	Seat, valve spring	1	B
15	500550032-0001	Valve Kit	1	B
16	140020110-0001	Camshaft assy	1	B



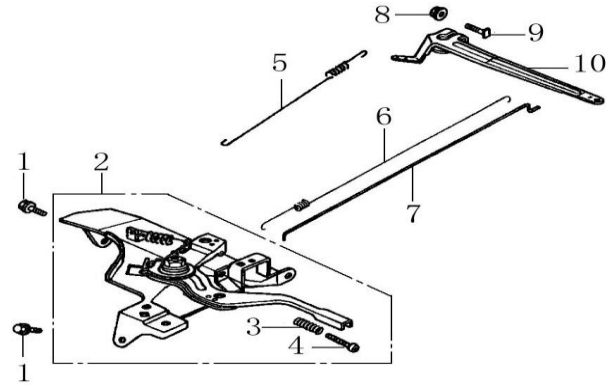
(Starter)

No.	Part No.	Description	Reqd. QTY	CONSUMABLE GRADE
1	193490039-0009	Manual starting assembly	1	B
2	193500017-0002	Manual starting components	1	B
3	380140531-0001	Hexagon bolt with flange	3	C
4	160210011-0002	Fan cover comp.	1	C
5	380140001-0006	Hexagon bolt with flange	4	C
6	160190006-0001	air deflector	1	C
7	380140001-0006	Hexagon bolt with flange	1	C
8	271660028-0001	Stop switch	1	A



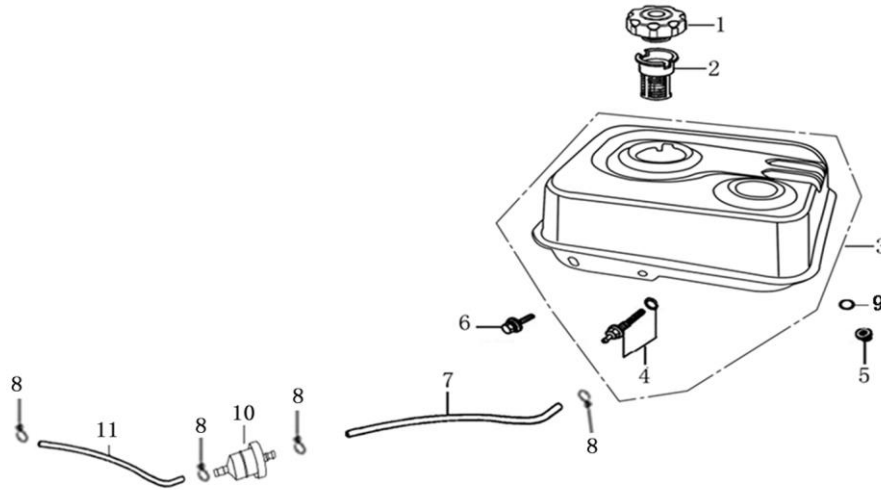
(Air cleaner)

No.	Part No.	Description	Reqd. QTY	CONSUMABLE GRADE
2	380440002-0001	Butterfly nut	2	C
3	180070091-0001	Air filter casing cover	1	B
4	180100035-0001	Air filter element	1	A
5	180330020-0001	Support plate body of filter element	1	B
6	380840433-0001	Seal ring	1	A
8	180280003-0001	Air filter seat	1	B
9	380370048-0001	Hexagon nut with flange	2	C



(Control)

No.	Part No.	Description	Reqd. QTY	CONSUMABLE GRADE
2	171680013-0001	Throttle handle combination	1	B
3	171660002-0001	speed regulating Limit spring	1	A
4	380200017-0005	Cross recessed pan head screw	1	C
5	171600125-0001	Governing spring	1	A
6	171610001-0001	throttle return spring	1	A
7	171590005-0001	Throttle rod	1	B
8	380370066-0001	Hexagon nut with flange	1	C
9	380250002-0001	Square head set screw with flat point	1	C
10	171620003-0004	Speed regulating bracket	1	B



(Fuel tank)

No.	Part No.	Description	Reqd. QTY	CONSUMABLE GRADE
1	170870162-0001	Tank cover	1	B
2	170720009-0001	Pouring orifice filter screen combination	1	A
3	170501023-0007	Tank	1	B
4	170660077-0001	Tank oilout	1	A
5	380370007-0004	Hexagon nut with flange	2	C
6	380140091-0005	Hexagon bolt with flange	2	C
7	380750179-0002	Oil tube	1	A
8	380950188-0001	Pipe clip	4	A
9	380920086-0001	rubber flat gasket	2	A
10	170010016-0001	Fuel filter	1	A
11	380750250-0002	Oil tube	1	A