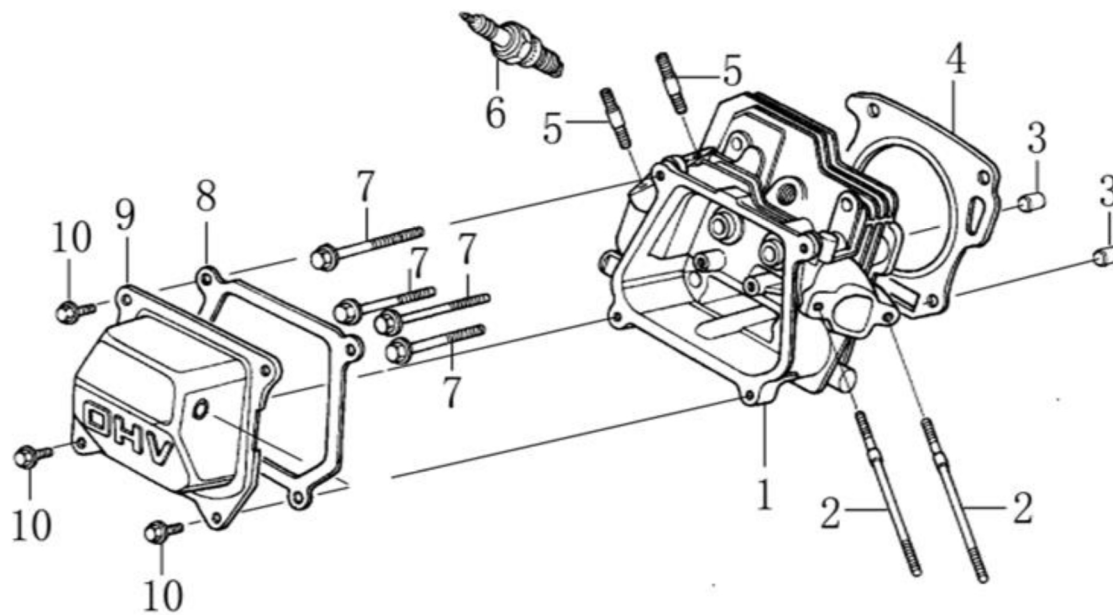


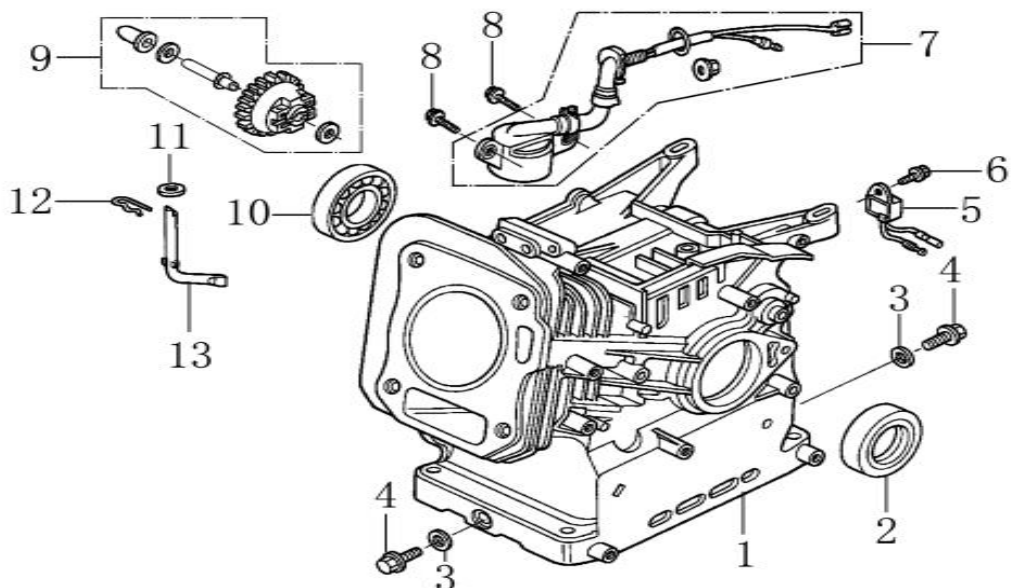
motor Loncin G200F K7456

r.v. 2024

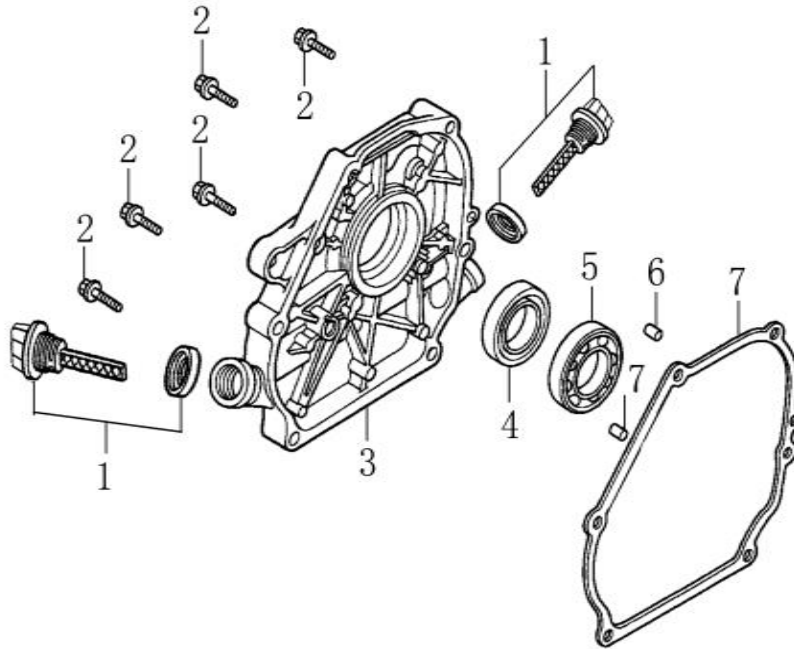
WEIBANG[®]
GARDEN MACHINES



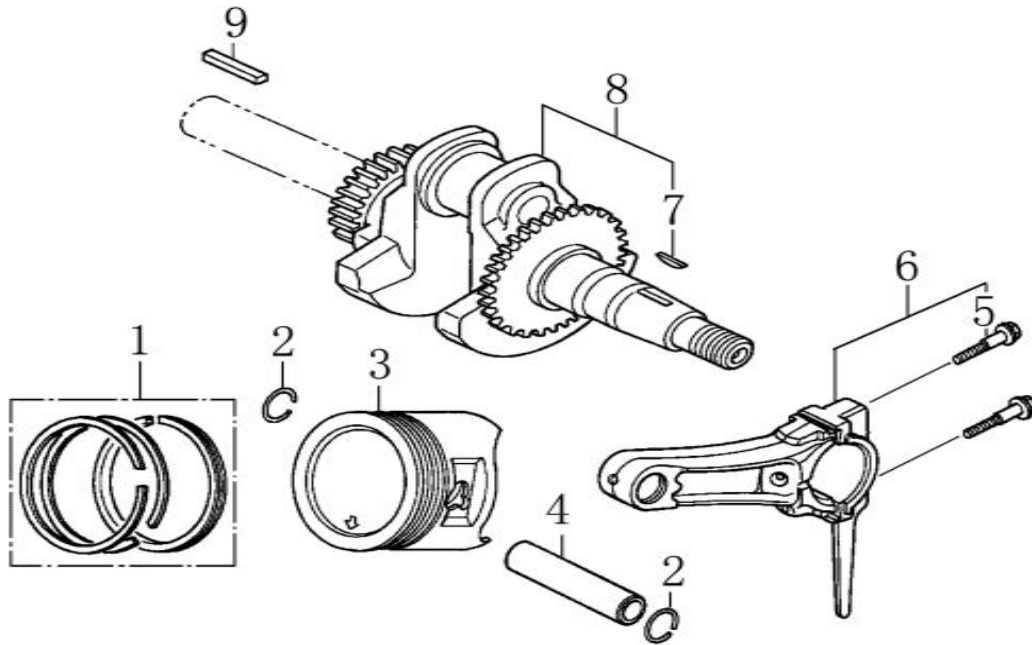
Part 1 CYLINDER HEAD		
No.	ID Zboží	Název
1	120080276-0001	Cylinder head
2	380180093-0001	Stud
3	380600117-0001	ocation pin
4	120150144-0001	Gasket for cylinder head
5	380180098-0001	Stud
6	270960014-0001	Spark plug
7	380140336-0001	Hexagon bolt with flange
8	120250013-0001	Gasket for cylinder head cover
9	120220008-0001	Cylinder head cover assy
10	380140215-0003	Hexagon bolt with flange



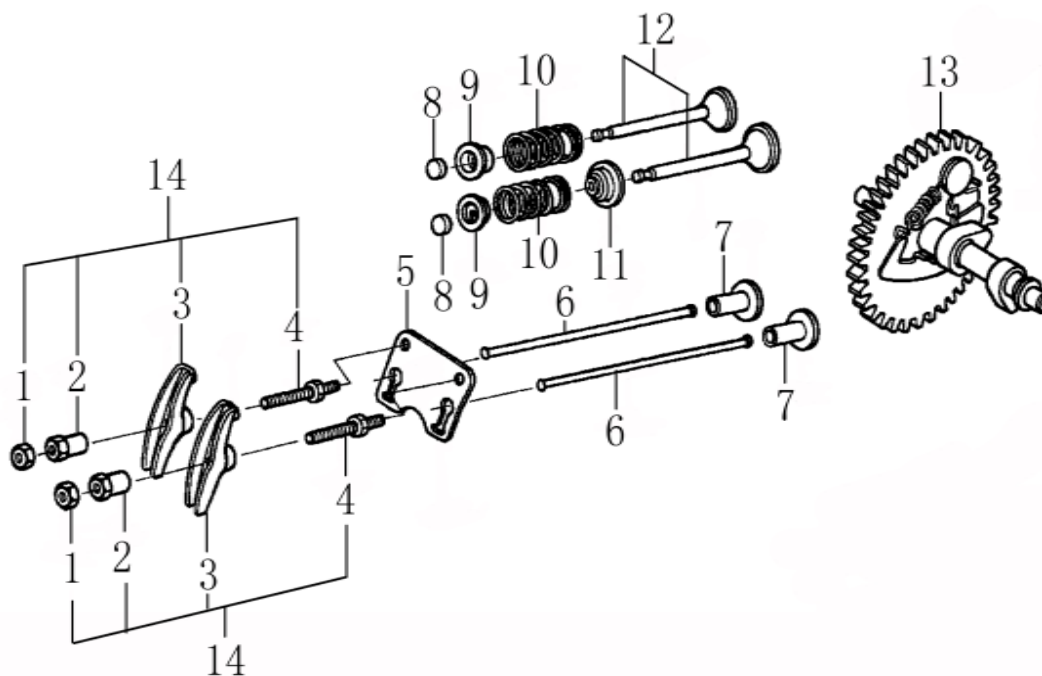
Part 2 CRANK CASE		
No.	ID Zboží	Název
1	110810006-0001	Crankcase body
2	380650347-0001	Oil seal
3	380450514-0001	Flat washer
4	110260025-0001	Sealing plug screw
5	281890001-0001	ALART UNIT ,OIL
6	380140011-0004	BOLT , FLANGE
7	281850150-0001	OIL LEVEL SWITCH
8	380140215-0003	BOLT , FLANGE
9	171750002-0001	Components of governor gear
10	380630137-0002	Bearing
11	380450531-0001	Flat washer
12	381350004-0001	Pin clip
13	171630001-0001	Speed regulating arm



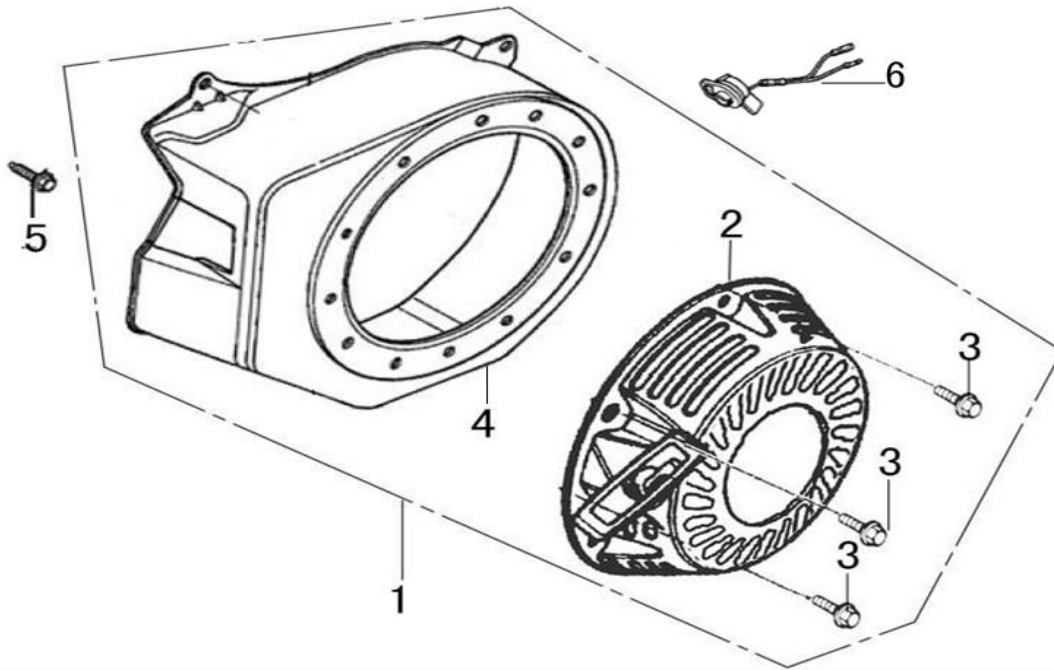
Part 3 CRANK CASE COVER		
No.	ID Zboží	Název
1	110690096-0004	Crankcase body
2	380140028-0004	Oil seal
3	110820014-0001	Flat washer
4	380650347-0001	Sealing plug screw
5	380630137-0002	ALART UNIT ,OIL
6	380600120-0001	BOLT , FLANGE
7	110830048-0001	OIL LEVEL SWITCH



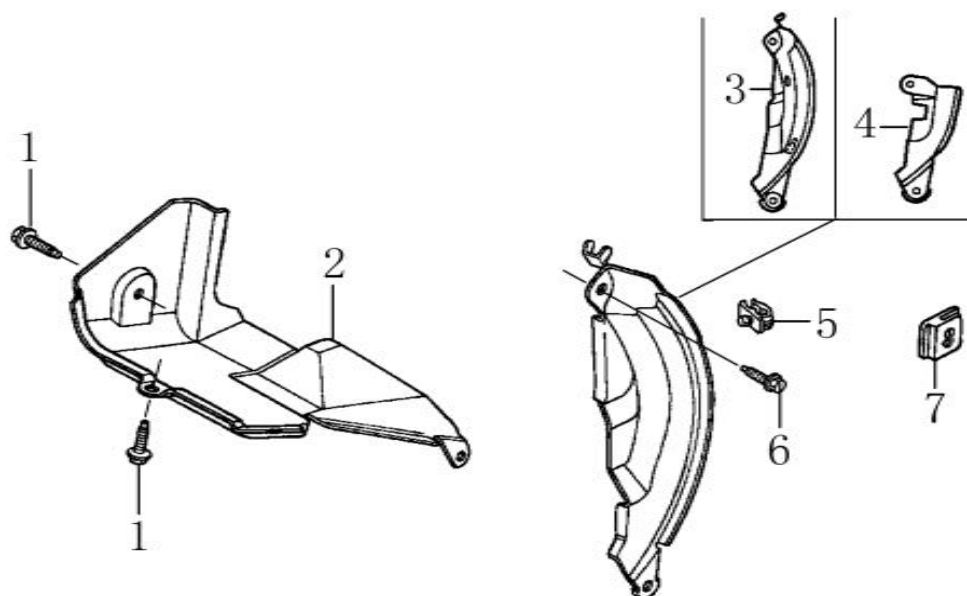
Part 4 CRANKSHAFT/PISTON		
No.	ID Zboží	Název
1	130070168-0001	Piston ring combination
2	380560056-0001	Steel cable baffle ring
3	130030188-0001	Piston
4	130060031-0001	Piston pin
5	130180001-0001	Connecting rod bolt
6	130150039-0001	Connecting rod
7	380620050-0001	Key
8	130290049-0002	crankshaft
9	380620031-0001	Key



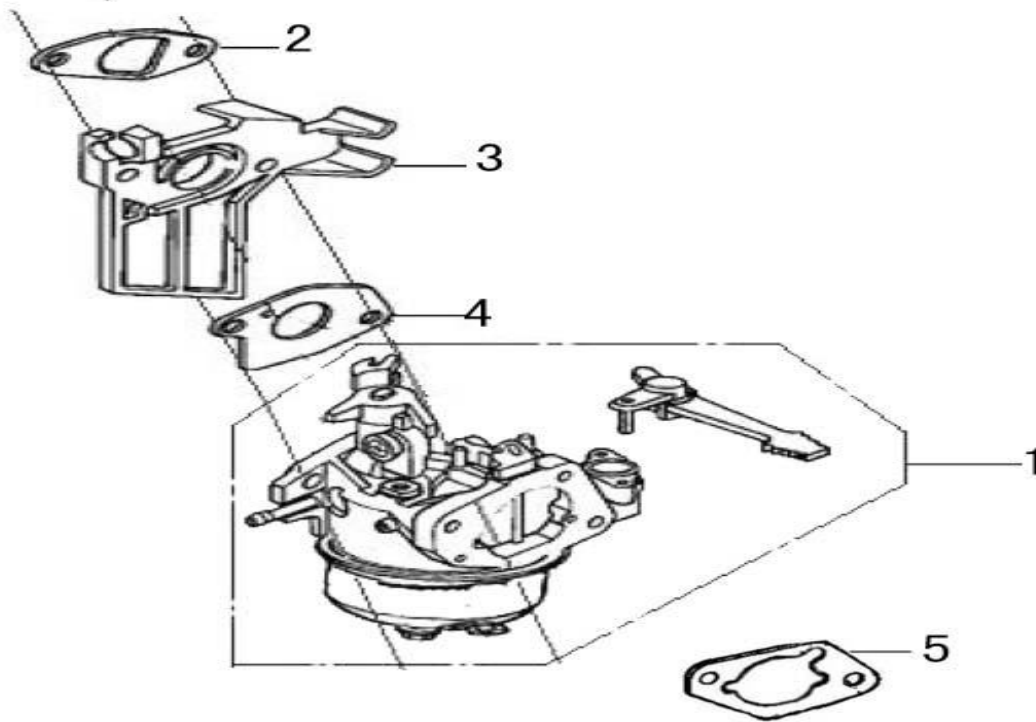
Part 5 GAS DISTRIBUTION ADJUSTMENT		
No.	ID Zboží	Název
1	140470001-0001	Valve lock nut
2	140490012-0001	Adjustable nut of valve
3	140460030-0001	Valve rocker
4	140480012-0001	Adjustable bolt of valve
5	140710001-0001	Plate, push rod guide
6	140670004-0001	Push rod
7	140690003-0001	Lifter, Valve
8	140320001-0001	Valve adjustment cap
9	140380068-0001	Retainer, valve spring
10	140340022-0001	Inner spring of valve
11	140400011-0001	Valve oil seal
12	500550129-0001	Valve Kit
13	140020114-0001	Camshaft assy
14	140450022-0001	Valve rocker combination



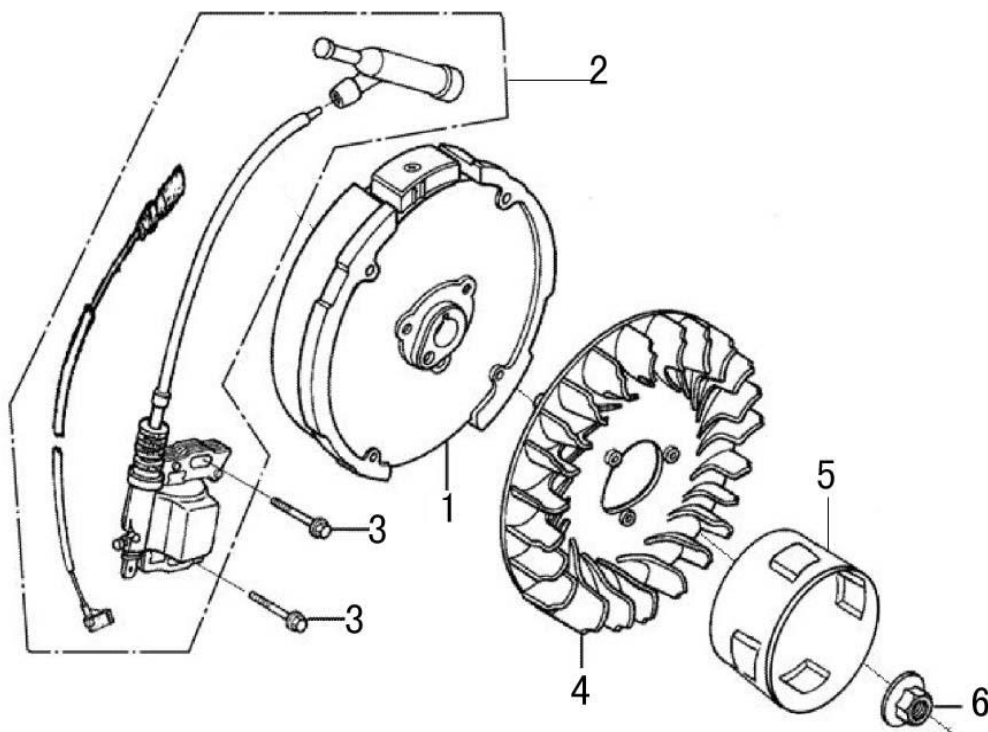
Part 6 STARTER SUBASSEMBLY		
No.	ID Zboží	Název
1	193490011-0057	Crankcase body
2	193500008-0002	Oil seal
3	380140531-0001	Flat washer
4	160210005-0002	Sealing plug screw
5	380140011-0004	ALART UNIT ,OIL
6	271660028-0001	BOLT , FLANGE



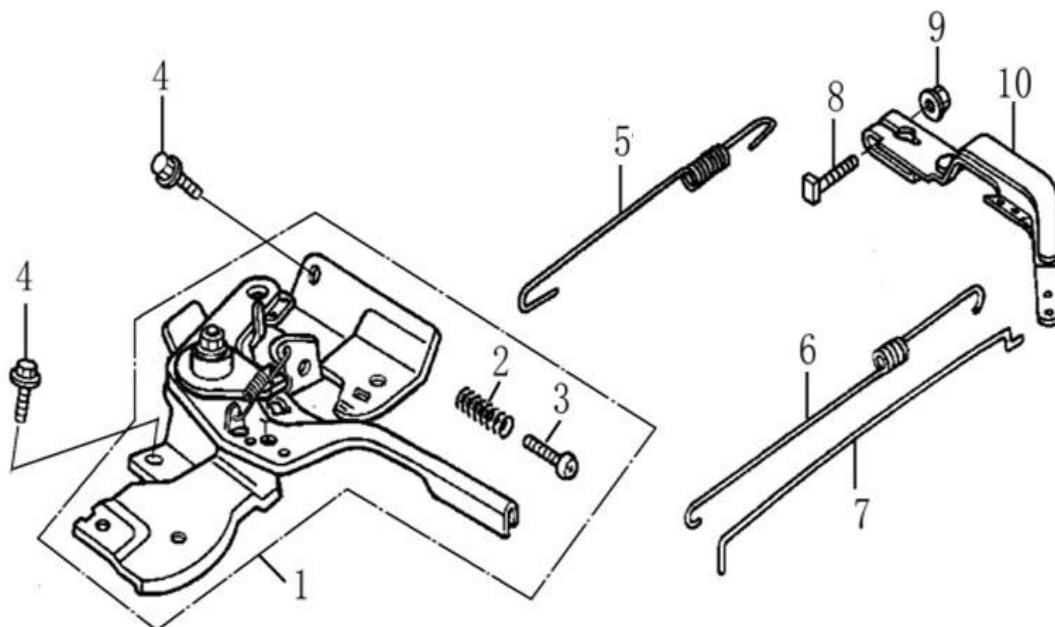
Part 7 DIVERSION ASSY.		
No.	ID Zboží	Název
1	380140089-0003	Hexagon bolt with flange
2	160190009-0001	air deflector
3	160200011-0001	Side plate
5	140280001-0001	Leaf valve limit plate
6	380140003-0005	Hexagon bolt with flange



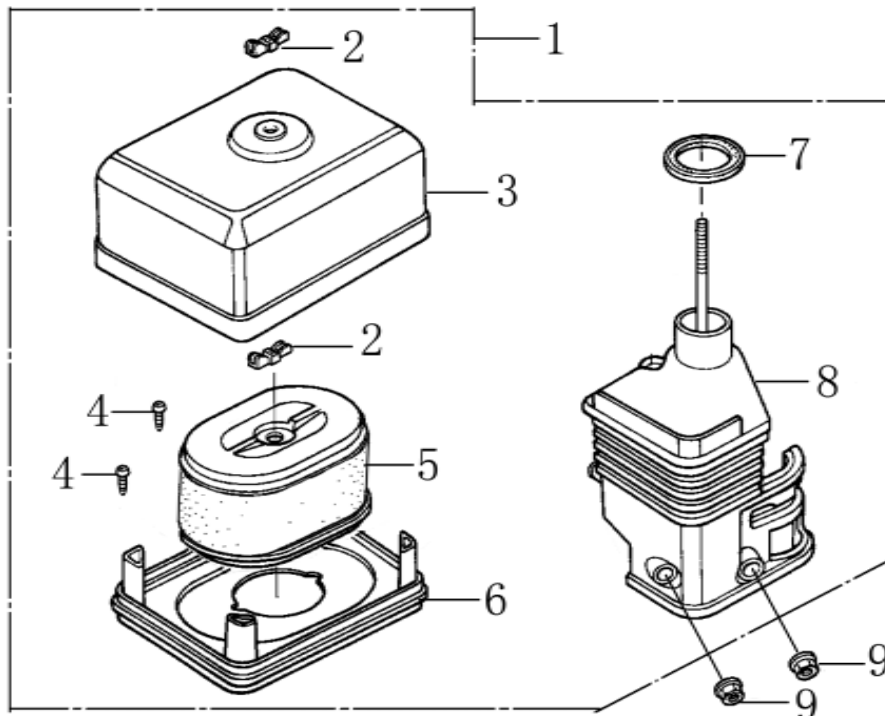
Part 8 CARBURETOR		
No.	ID Zboží	Název
1	170022140-0001	Carburetor
2	170430139-0001	Carburetor gasket
3	170440121-0001	Heat insulating pad for carburetor
4	170430138-0001	Carburetor gasket
5	170430180-0001	Carburetor gasket



Part 9 FLYWHEEL/COIL ASSY		
No.	ID Zboží	Název
1	270020097-0001	FLYWHEEL COMP
2	270920476-0001	COIL ASSY.,IGNNTION
3	380140102-0004	Hexagon bolt with flange
4	160180007-0001	Impeller
5	193590005-0001	Starting disc
6	380370051-0001	Hexagon nut with flange

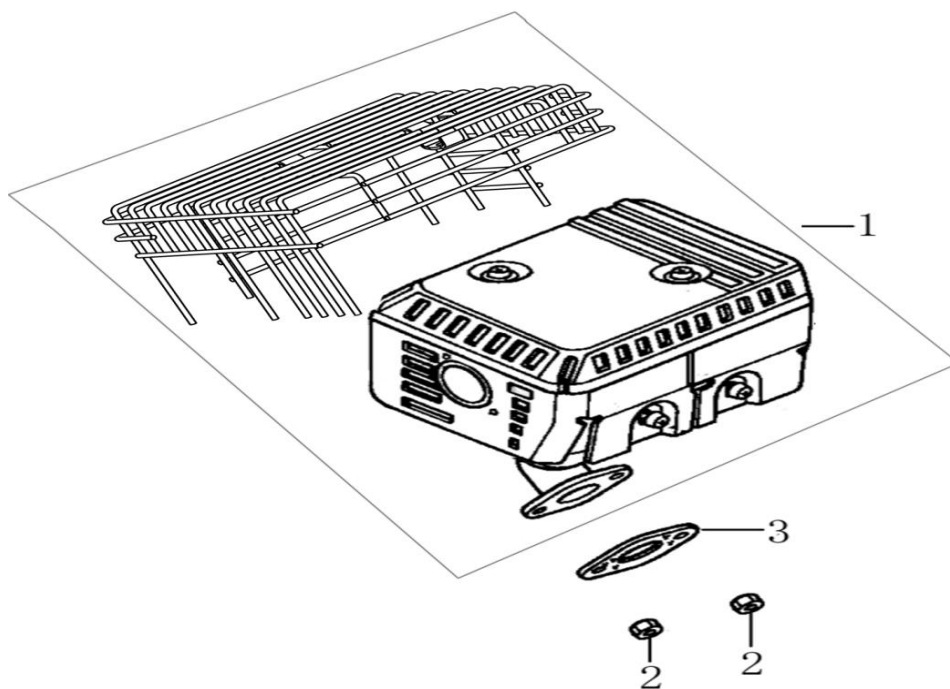


Part 10 CONTROL SYSTEM		
No.	ID Zboží	Název
1	171680152-0001	Throttle handle combination
2	171660001-0001	speed regulating Limit spring
3	380200017-0005	Cross recessed pan head screw
4	380140011-0004	Hexagon bolt with flange
5	171600036-0001	Governing spring
6	171610002-0001	throttle return spring
7	171590002-0001	Throttle rod
8	380250002-0001	Square head set screw with flat point
9	380370066-0001	Hexagon nut with flange
10	171620001-0003	Speed regulating bracket

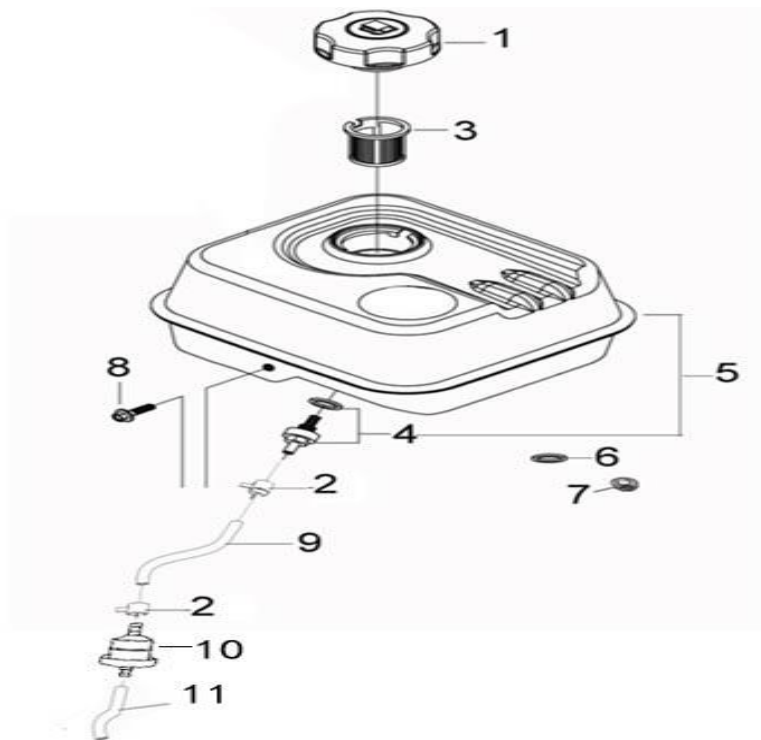


Part 11 AIR CLEANER

No.	ID Zboží	Název
1	180021206-0001	Air filter
2	380440002-0001	Butterfly nut
3	180070087-T040	Air filter casing cover
4	380310015-0005	Cross recessed pan head tapping screw
5	180100034-0T040	Air filter element combination
6	180330018-0001	Support plate body of filter element
7	380840437-0001	Seal ring
8	180280001-T040	Air filter seat
9	380370048-0001	Hexagon nut with flange



Part 12 MUFFLER		
No.	ID Zboží	Název
1	180572494-0001	Muffler
2	380340005-0005	Hexagon nut
3	180650065-0001	Outlet gasket



Part 13 FUEL TANK		
No.	ID Zboží	Název
1	170870162-0001	Tank cover
2	380950188-0001	Pipe clip
3	170720009-0001	Pouring orifice filter screen combination
4	170660077-0001	Tank oilout
5	170500997-0013	Tank
6	380920086-0001	rubber flat gasket
7	380370048-0001	Hexagon nut with flange
8	380140171-0004	Hexagon bolt with flange
9	380750178-0002	Oil tube
10	170010016-0001	Fuel filter
11	380750244-0002	Oil tube