

2024 82LT107 7400786

TABLE OF CONTENTS

LABELS-WARNING/SAFETY	3
LABELS-BRAND/MODEL	5
LABELS-FUNCTION	7
FRAME ASSEMBLY	9
BATTERY COVER ASSEMBLY	11
TOWER ASSEMBLY 1	13
TOWER ASSEMBLY 2	15
GUARDS AND PROTECTIVE PARTS	17
BATTERY-CHARGER	19
CONTROLLERS	22
WIRE HARNESS	24
SWITCHES-METER	26
GPS	28
LIGHTS	30
DECK-MOTORS-BLADES	32
DECK ASSEMBLY	34
DISCHARGE CHUTE	36
DECKLIFT ASSEMBLY	38
WHEELS	41
DRIVE MOTOR-TRANSMISSION	43
SEAT	45
STEERING ASSEMBLY	47
STEERING WHEEL	51
PEDALS ASSEMBLY	53

01 Labels

LABELS-WARNING/SAFETY

Ref Number	Part Number	Part Description	Context Notes	Quantity
1	R0102670-00	Battery warning Label		1
2	R0204143-00	Battery warning Label (France)		1
3	R0204148-00	Keep H/F away		1
4	R0103175-00	No Towing Label		1
5	R0103171-00	No Standing Label		1
6	R0103195-00	Vehicle Warning Label		1

LABELS-BRAND/MODEL

LABELS-BRAND/MODEL

Lawn Tractor
Tondeuse à gazon autoportée
Model/Modèle: 82LT107 82V==

WEIGHT: 25KG(55LBS)
MADE IN CHINA /
FABRIQUÉ EN CHINE /
HECHO EN CHINA

CRAMER

82 VOLT LITHIUM

READ USER MANUAL AND REPLACEMENT PARTS
LISEZ LE MANUEL D'UTILIS. ATION ET RESPECTEZ LES
PIÈCES DE RECHANGE INDOUILLÉES

Discontinued Tools Europe GmbH Garden Equipment Ltd First Floor, 3a
Bromwich Way Greenway Road, Christchurch, Dorset,
BH23 3JG, UK

FOR USE ONLY WITH CRAMER 82V80 BATTERY. SEE INSTRUCTION MANUAL FOR ADDITIONAL BATTERY PACKS.
À UTILISER UNiquement AVEC LA CRAMER BATTERIE 82V80A. VOIR LE MANUEL D'INSTRUCTIONS POUR LES BLOCS DE BATTERIE
SUPPLÉMENTAIRES.

CAUTION: TO REDUCE THE RISK OF INJURY OR ELECTRIC SHOCK, DO NOT REMOVE COVER, NO USER SERVICEABLE PARTS INSIDE. REFER SERVICING TO QUALIFIED SERVICE PERSONNEL.

ATTENTION: POUR RÉDUIRE LE RISQUE DE BLESSURE OU DE CHOC ÉLECTRIQUE, NE PAS RETIRER LE COUVERCLE. AUCUNE PIÈCE RÉPARABLE PAR L'UTILISATEUR NE SE TROUVE À L'INTÉRIEUR. CONFIÉZ L'APPAREIL À UN PERSONNEL QUALIFIÉ POUR TOUTE RÉPARATION.

PARKING BRAKE GUIDE
GUIDE DU FREIN DE STATIONNEMENT

HOLD UP BRAKE LEVER
MAINTENIR LA PÉDALE DE FREIN

PRESS BRAKE PEDAL
APPUYEZ SUR LA PÉDALE DE FREIN

RELEASE BRAKE PEDAL
RELÂCHER LA PÉDALE DE FREIN

16-01 R0103194-00



16-02



16-03

16-1

Rendered by LeadVenture, Inc.

Rev1.0

LABELS-BRAND/MODEL

Ref Number	Part Number	Part Description	Context Notes	Quantity
1	R0103194-00	7400786 Name Label		1
2	R0103196-00	Logo Label		1
3	R0103197-00	82LT107 Label		1

LABELS-FUNCTION

LABELS-FUNCTION



17-01



17-02



17-03



17-04

3.8cm 5.1cm 6.4cm 7.6cm 8.9cm 10.2cm 11.4cm

17-05



17-06



17-07



17-08

107cm

17-09

17-1 Rendered by LeadVenture, Inc.

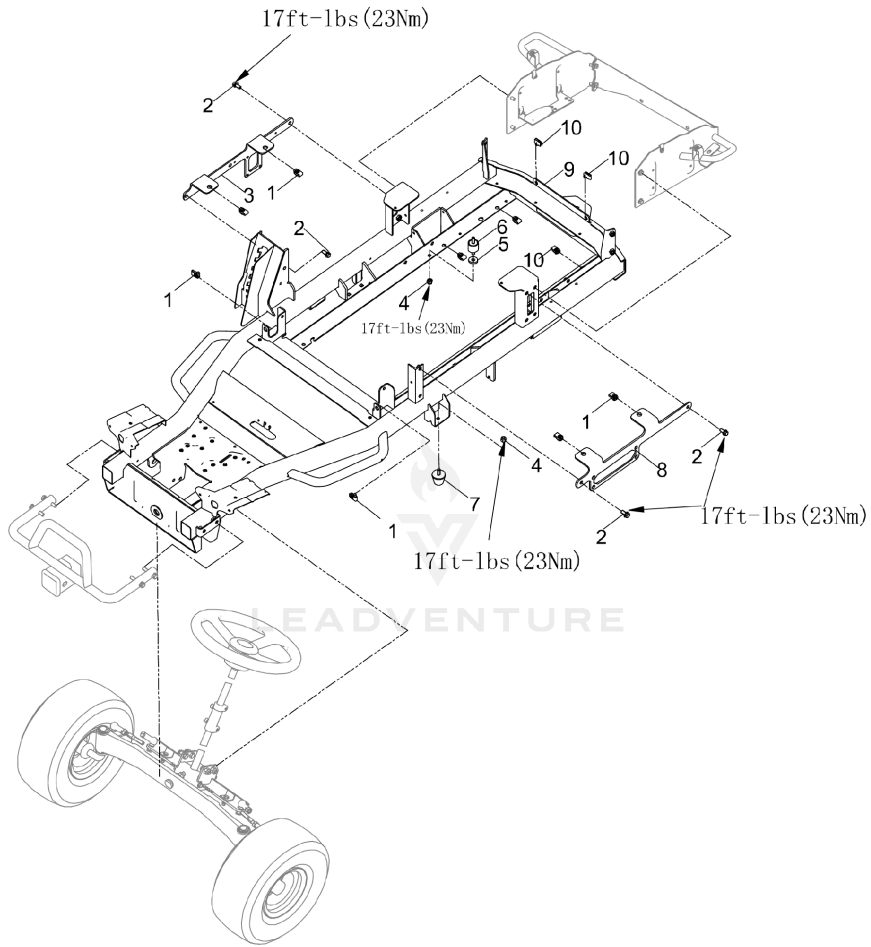
Rev1.0

LABELS-FUNCTION

Ref Number	Part Number	Part Description	Context Notes	Quantity
1	R0103166-00	Battery Compartment Cover Label <input type="checkbox"/> high <input type="checkbox"/>		1
2	R0103167-00	Battery Label 1&2		1
3	R0103168-00	Battery Label 3&4		1
4	R0103169-00	Battery Label 5&6		1
5	R0103170-00	Cutting Height Adjustment Label		1
6	R0204140-00	Max Towing Weight Label		1
7	R0103172-00	100dB Noise Label		1
8	R0103198-00	D Type Dashboard Label		1
9	R0103193-00	Deck Width Label		1

02 Body & Structures

FRAME ASSEMBLY

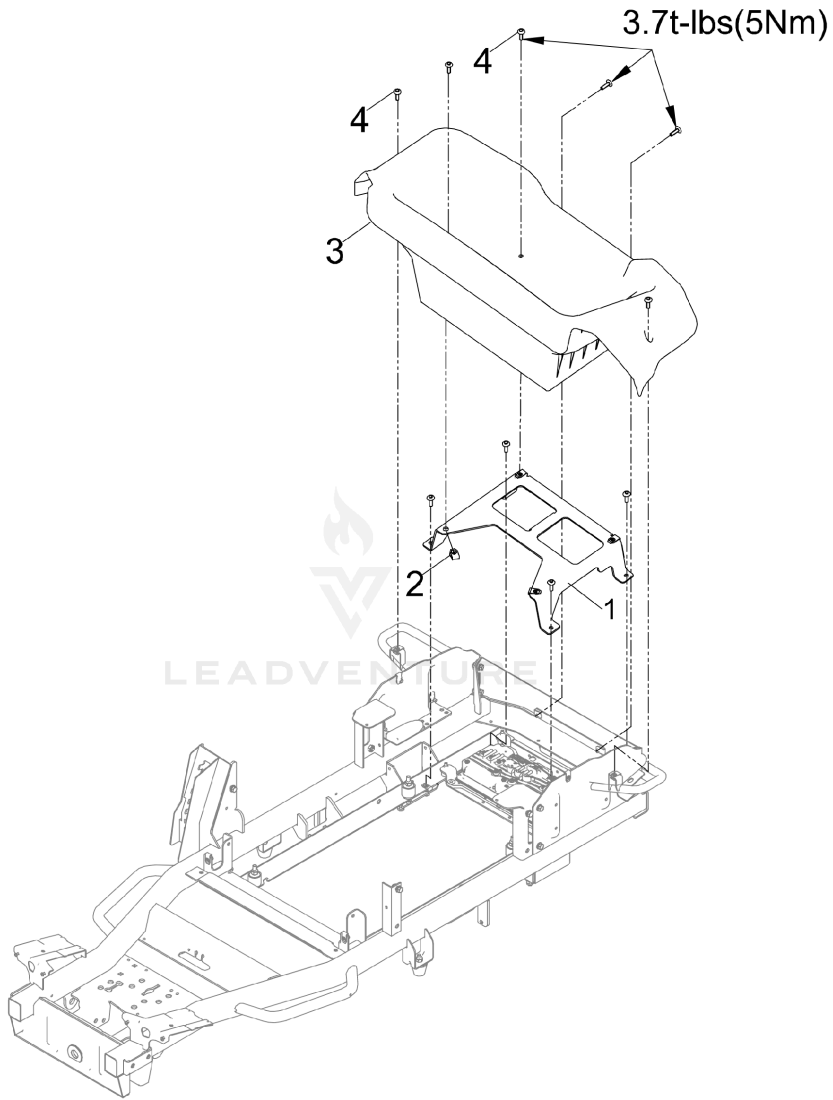


Rendered by LeadVenture, Inc.

FRAME ASSEMBLY

Ref Number	Part Number	Part Description	Context Notes	Quantity
1	R0200549-00	Nut M8		6
2	R0200534-00	Hexagon Bolt, M8×20		4
3	R0203249-00	Mounting plate		1
4	R0200520-00	Hexagon Nuts, Style 2, M8		6
5	R0203158-00	Washer		4
6	R0201412-00	Shock pad		4
7	R0200710-00	Rubber Bumper		2
8	R0202007-00	Mounting plate		1
9	R0103029-00	Chassis Weldment		1
10	R0201314-00	Nut, Clip-On M6		6

BATTERY COVER ASSEMBLY

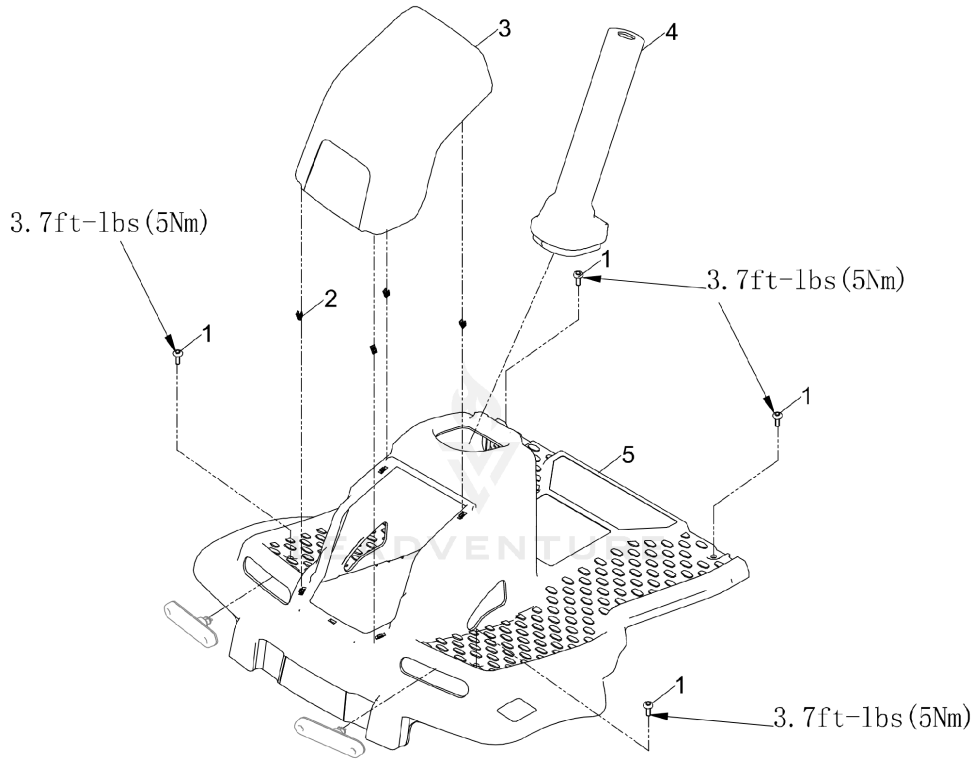


Rendered by LeadVenture, Inc.

BATTERY COVER ASSEMBLY

Ref Number	Part Number	Part Description	Context Notes	Quantity
1	R0103030-00	Controller Mounting Plate		1
2	R0201314-00	Nut, Clip-On M6		4
3	R0103031-00	Bucket		1
4	R0201376-00	Pan Head Screw M6*20		12

TOWER ASSEMBLY 1

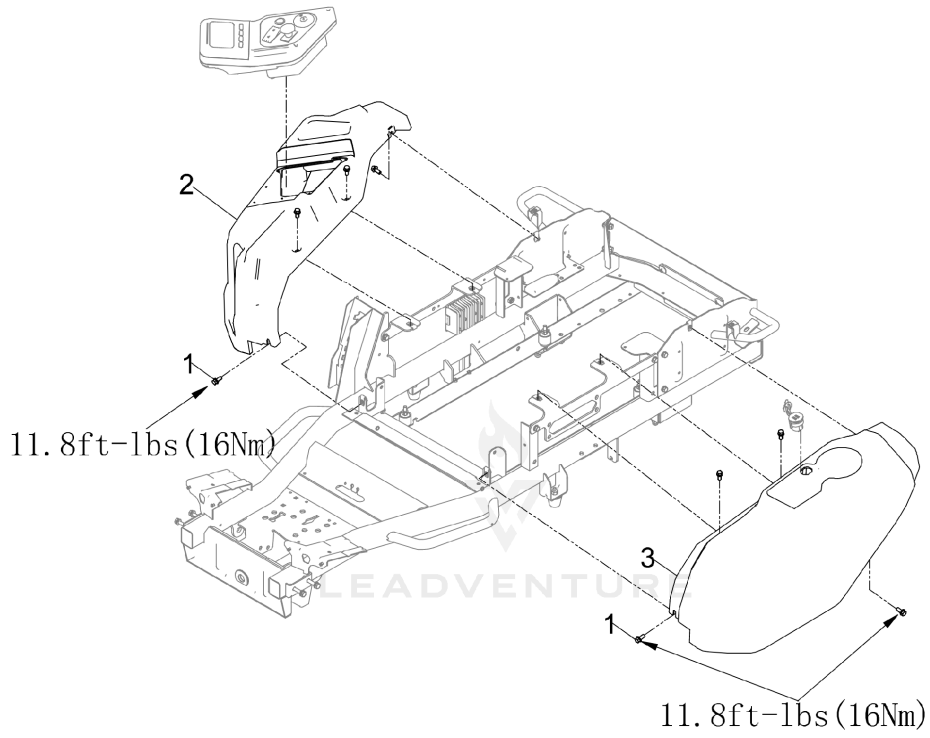


Rendered by LeadVenture, Inc.

TOWER ASSEMBLY 1

Ref Number	Part Number	Part Description	Context Notes	Quantity
1	R0201376-00	Pan Head Screw M6*20		4
2	R0202010-00	Snap Joint		4
3	R0103032-00	Decorative Cover		1
4	R0103033-00	Steering Column Cover		1
5	R0103034-00	Plate Form		1

TOWER ASSEMBLY 2

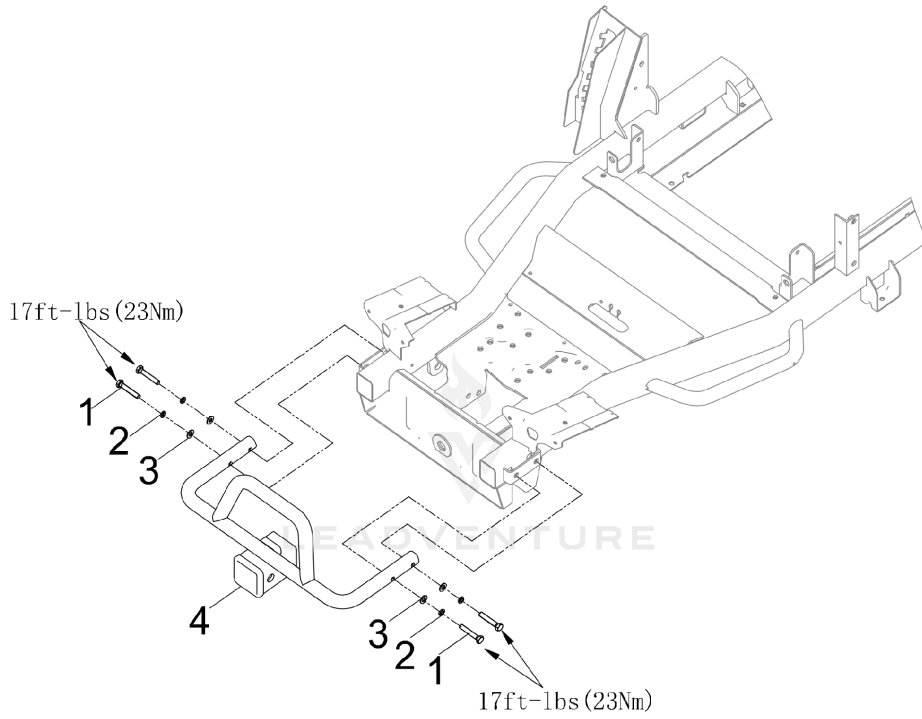


Rendered by LeadVenture, Inc.

TOWER ASSEMBLY 2

Ref Number	Part Number	Part Description	Context Notes	Quantity
1	R0200534-00	Hexagon Bolt, M8×20		8
2	R0103035-00	Right Cover		1
3	R0103036-00	Left Cover		1

GUARDS AND PROTECTIVE PARTS



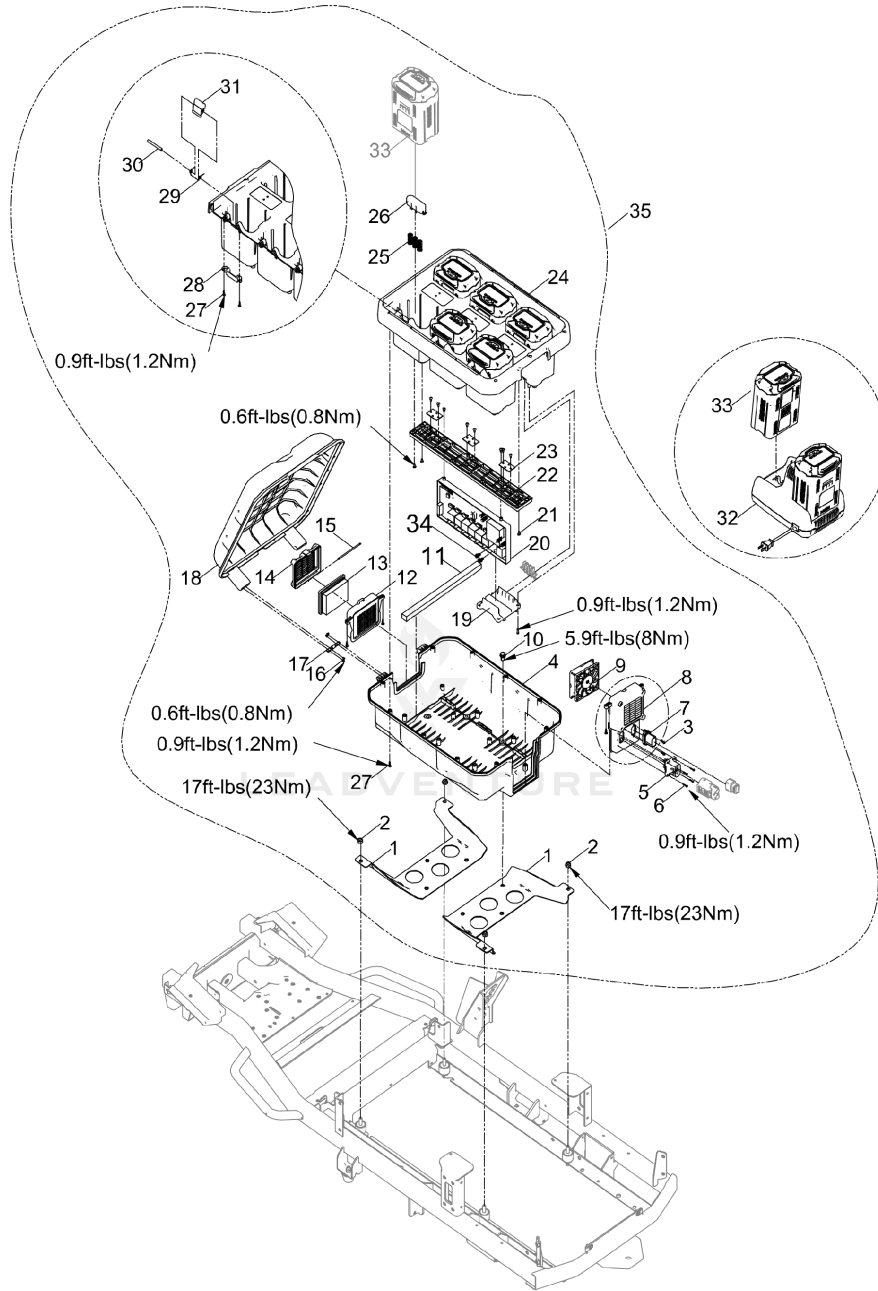
Rendered by LeadVenture, Inc.

GUARDS AND PROTECTIVE PARTS

Ref Number	Part Number	Part Description	Context Notes	Quantity
1	R0200498-00	Bolt		4
2	R0200540-00	Washer		4
3	R0200548-00	Plain Washers, $\Phi 8$		4
4	R0103037-00	Bumper		1

03 Electrical System

BATTERY-CHARGER



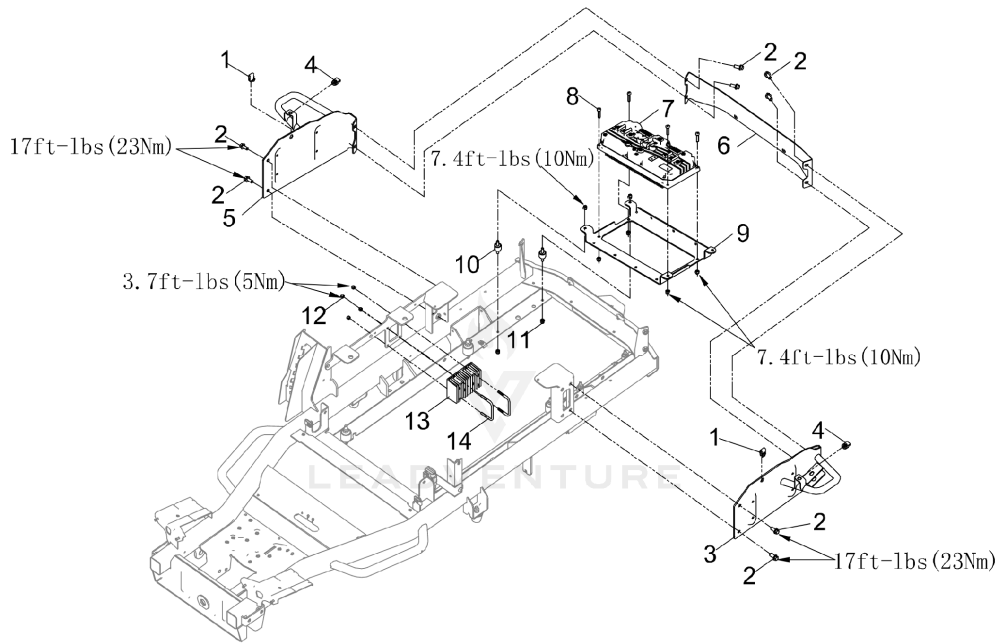
Rendered by LeadVenture, Inc.

BATTERY-CHARGER

Ref Number	Part Number	Part Description	Context Notes	Quantity
1	R0103038-00	Fixed Bracket		2
2	R0200520-00	Hexagon Nuts, Style 2, M8		4
3	R0203541-00	Pan Head Tapping Screws,ST4X10		2
4	R0202638-00	Base		1
5	R0205048-00	Battery Compartment Power Cords		1
6	R0203425-00	Cross recessed pan head tapping screws		4
7	R0205047-00	Battery Compartment Communication Line		1
8	R0103039-00	Rear Cover		1
9	R0202640-00	Fan		1
10	R0200534-00	Hexagon Bolt, M8×20		6
11	R0203160-00	Dust sponge		2
12	R0202641-00	Middle cover		1
13	R0202642-00	Filter element		1
14	R0202643-00	Front cover		1
15	R0202644-00	Rotating shaft		1
16	R0203286-00	Hexagon socket button head screws, M3*6		8
17	R0202646-00	Flap hinge		2
18	R0103040-00	Battery Pack Flap Assembly		1

Ref Number	Part Number	Part Description	Context Notes	Quantity
19	R0203171-00	Terminal retaining plate		3
20	R0205049-00	PMU Assembly		1
21	R0202649-00	Pan Head Tapping Screws,ST4*10		12
22	R0202650-00	Base mounting plate		1
23	R0203237-00	PCBA (Torch)		3
24	R0103041-00	Battery Box Assembly		1
25	R0202671-00	Reset spring		18
26	R0203287-00	Spring Base		6
27	R0203426-00	Socket Pan Head Tapping Screws ST4X16		38
28	R0103042-00	Release Button Shaft Retaining Plate		6
29	R0202672-00	Torsion spring		6
30	R0202657-00	Battery Pack Release Button Shaft		6
31	R0203174-00	Battery Pack Release Button		6
34	R0200380-00	Bolt, Hex With Washers M8×16		2

CONTROLLERS

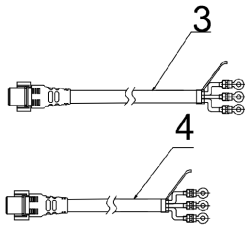
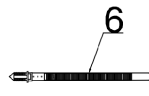
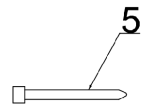
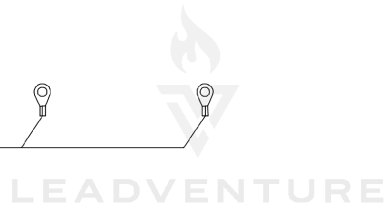
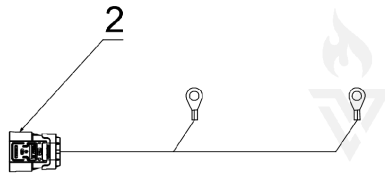
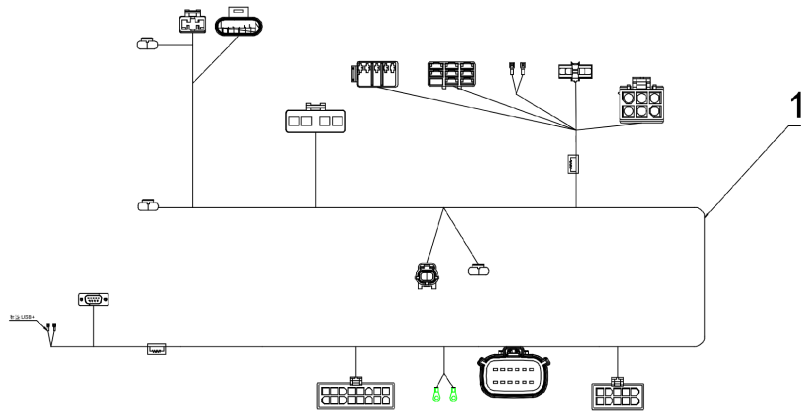


Rendered by LeadVenture, Inc.

CONTROLLERS

Ref Number	Part Number	Part Description	Context Notes	Quantity
1	R0200549-00	Nut M8		2
2	R0200534-00	Hexagon Bolt, M8×20		8
3	R0103074-00	Left Side Plate Weldment		1
4	R0201314-00	Nut, Clip-On M6		2
5	R0103075-00	Right Reset Bracket Weldment		1
6	R0103076-00	Body Rear		1
7	R0103177-00	Drive Controller		1
8	R0201415-00	Bolt M6×25		4
9	R0103077-00	Controller Mounting Plate		1
10	R0202578-00	Insulation Pad		4
11	R0200518-00	Lock nut M6		12
12	R0200517-00	Hexagon Nuts(With Non-Metallic Insert), style 2 M5		4
13	R0202206-00	DC power supply		1
14	R0202027-00	Lock Threaded Rod		2

WIRE HARNESS

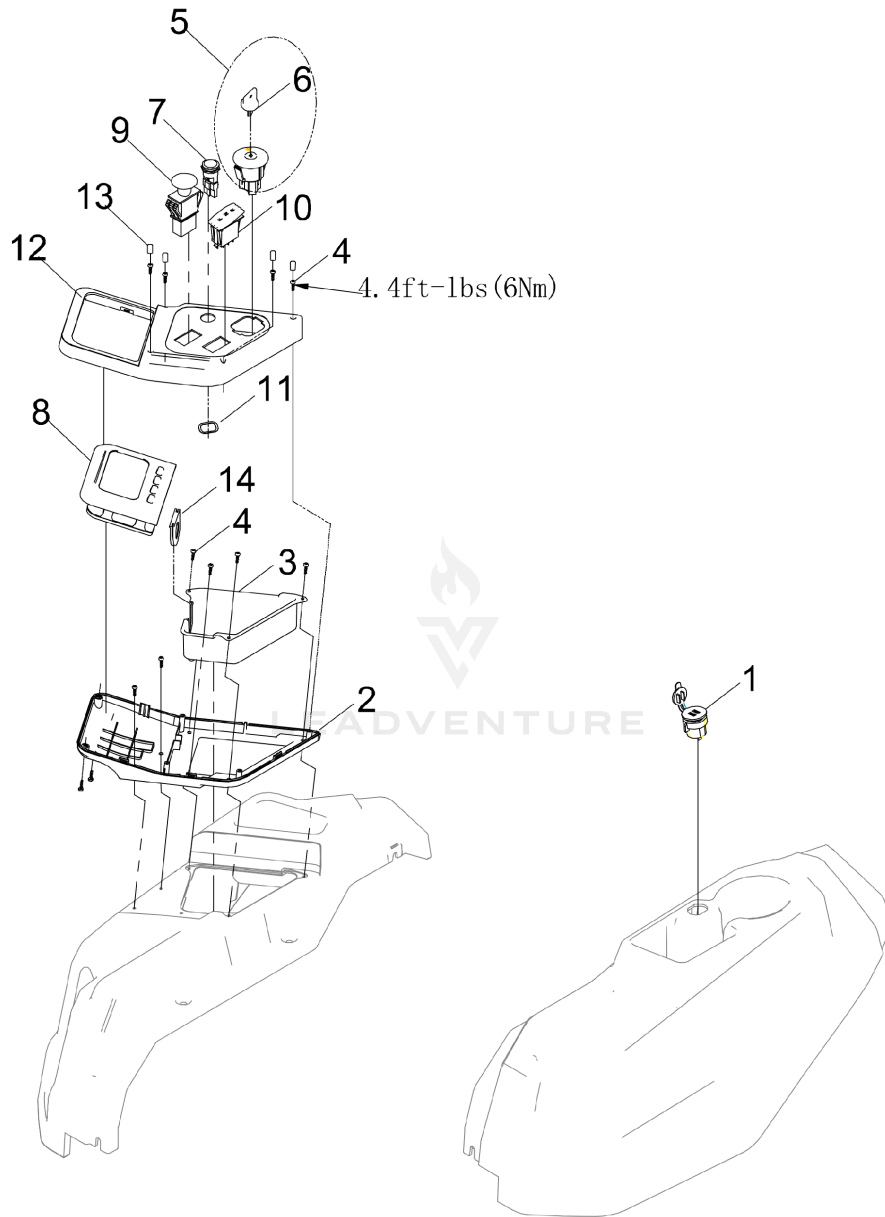


Rendered by LeadVenture, Inc.

WIRE HARNESS

Ref Number	Part Number	Part Description	Context Notes	Quantity
1	R0103178-00	Control Harness For Whole Machine		1
2	R0103179-00	Power Wiring (-) Harness For Whole Machine		1
3	R0103180-00	Wire Harness Assembly		1
4	R0103181-00	Wire Harness Assembly		1
5	R0200390-00	Zip Tie		50
6	R0202543-00	Zip Tie		15

SWITCHES-METER

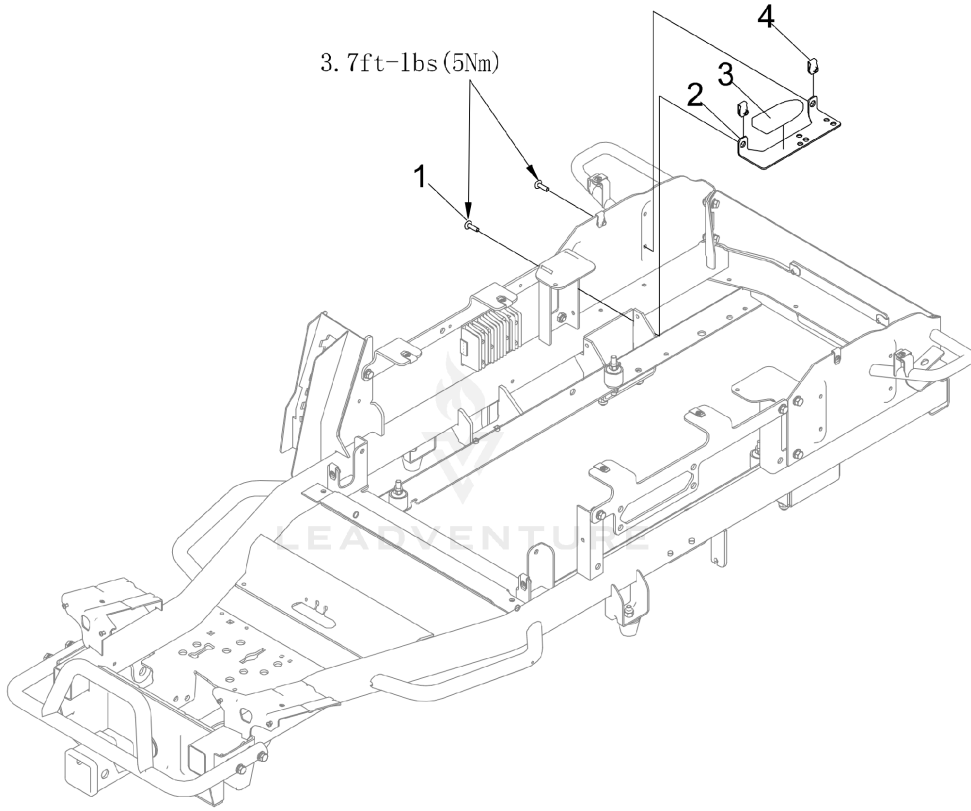


Rendered by LeadVenture, Inc.

SWITCHES-METER

Ref Number	Part Number	Part Description	Context Notes	Quantity
1	R0201612-00	USB		1
2	R0103043-00	Lower Shell		1
3	R0103044-00	Guard		1
4	R0203426-00	Socket Pan Head Tapping Screws ST4X16		12
5	R0205050-00	Lock Switch		1
6	R0201216-00	Key		1
7	R0103182-00	Switch Button		1
8	R0103183-00	LCD Dashboard		1
9	R0200717-00	PTO switch		1
10	R0103184-00	Rocker Switch		1
11	R0203538-00	Corrugated Washer		1
12	R0103201-00	Upper Shell		1
13	R0103202-00	Plug		4
14	R0103200-00	Wire Protective Sleeve		1

GPS

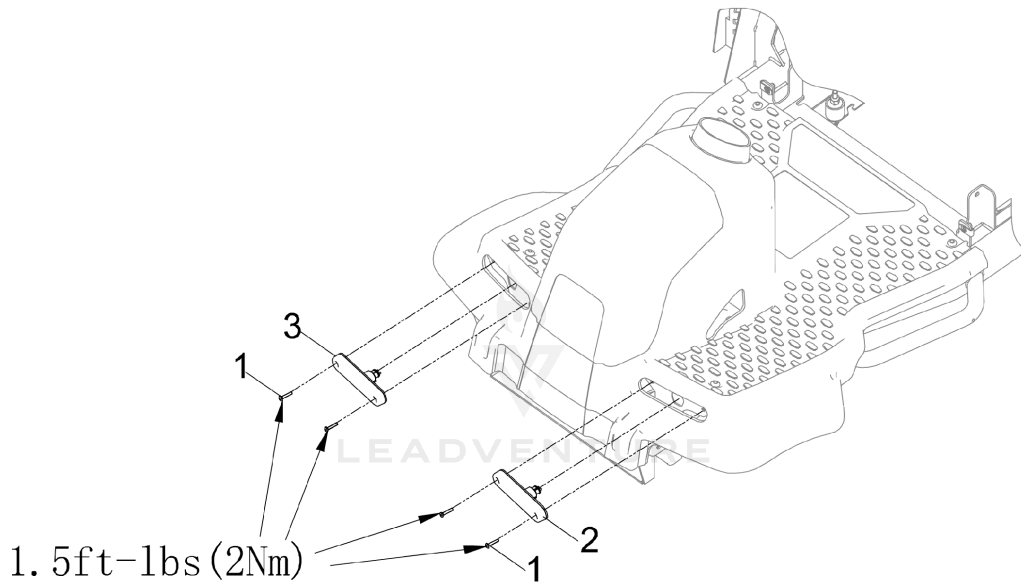


Rendered by LeadVenture, Inc.

GPS

Ref Number	Part Number	Part Description	Context Notes	Quantity
1	R0201376-00	Pan Head Screw M6*20		2
2	R0103045-00	Adapting Plate		1
3	R0103185-00	Antenna		1
4	R0201314-00	Nut, Clip-On M6		2

LIGHTS



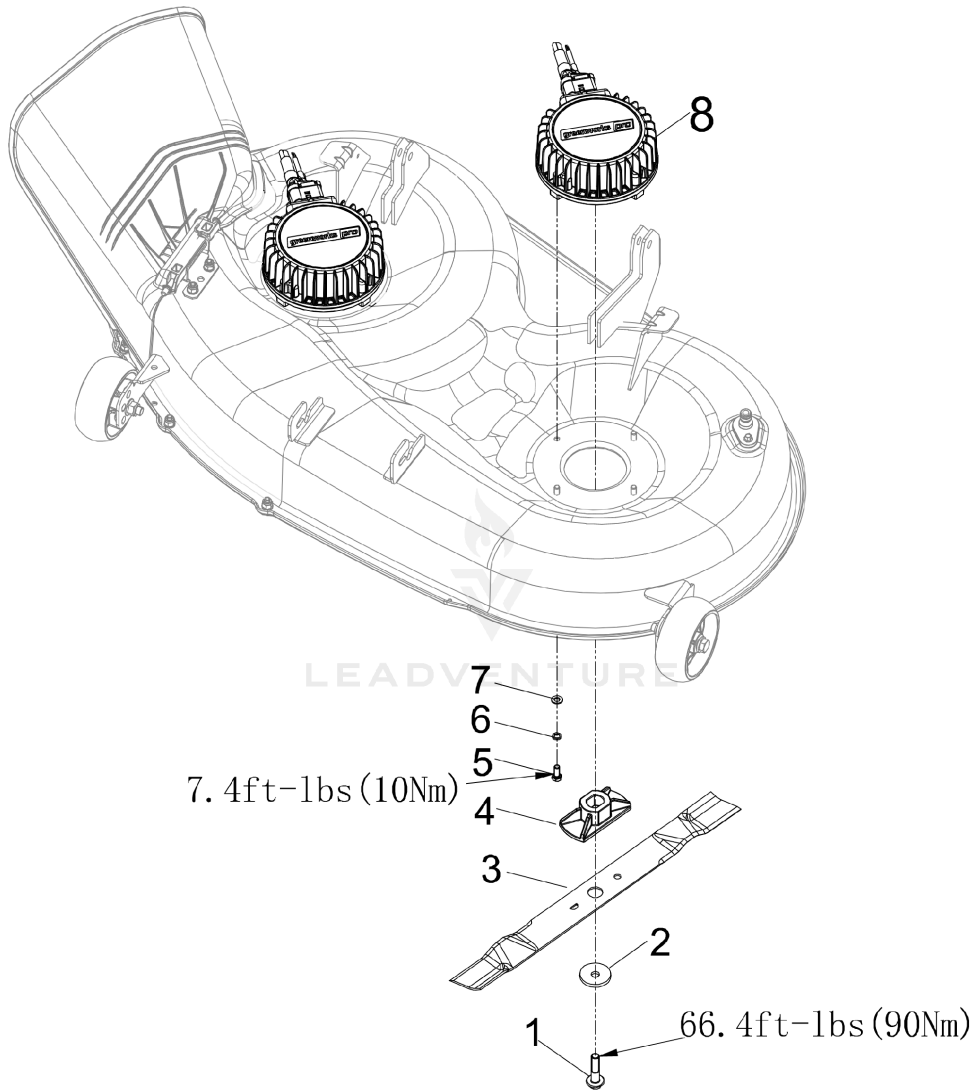
Rendered by LeadVenture, Inc.

LIGHTS

Ref Number	Part Number	Part Description	Context Notes	Quantity
1	R0201545-00	Screw		4
2	R0202278-00	Light LED		1
3	R0202279-00	Light LED		1

04 Deck System

DECK-MOTORS-BLADES

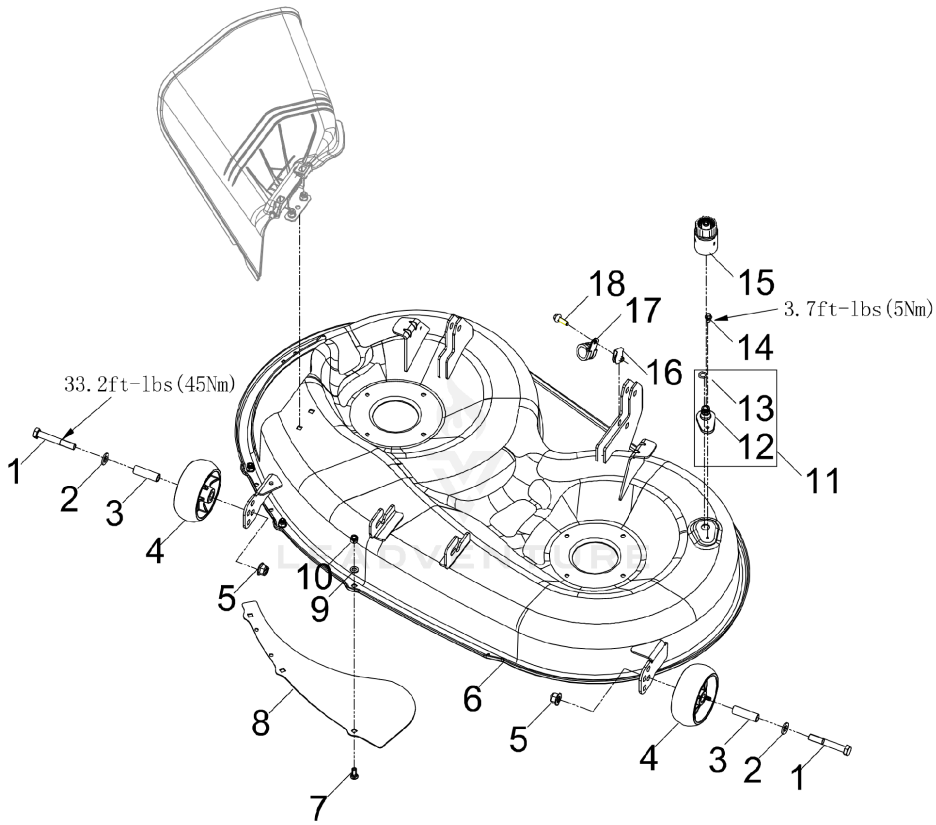


Rendered by LeadVenture, Inc.

DECK-MOTORS-BLADES

Ref Number	Part Number	Part Description	Context Notes	Quantity
1	R0202285-00	Hexagon head bolts ,ANSI 7/16-14UNC		2
2	R0202284-00	Washer		2
3	R0203256-00	Blade, High-Lift (42" Deck)		2
4	R0202282-00	Blade holder		2
5	R0202281-00	Hexagon head bolts 5/16-18UNC		8
6	R0202280-00	Single coil spring lock washers		8
7	R0200548-00	Plain Washers,Φ8		8
8	R0102985-00	Blade Motor		2

DECK ASSEMBLY

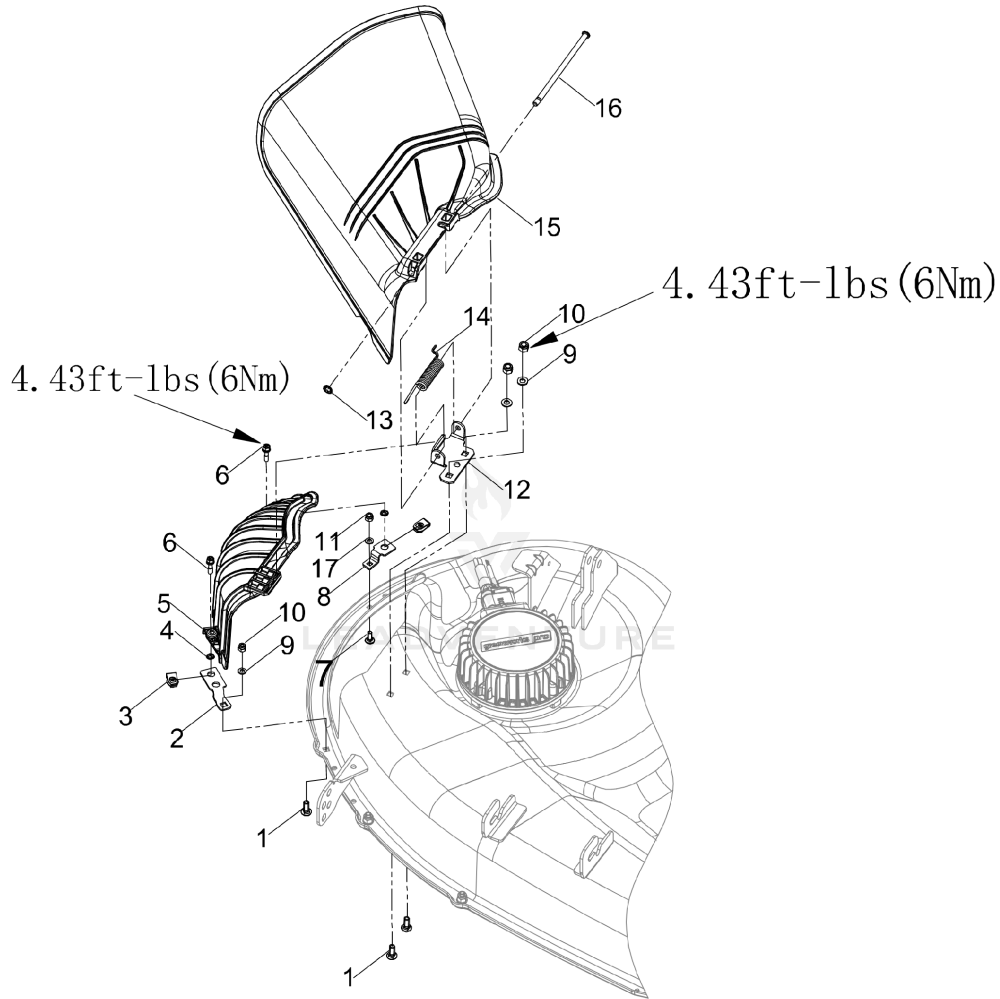


Rendered by LeadVenture, Inc.

DECK ASSEMBLY

Ref Number	Part Number	Part Description	Context Notes	Quantity
1	R0200401-00	Hexagon Head Bolts, M12X80		2
2	R0200543-00	Plain washers - Product grade A, ϕ 12		2
3	R0202286-00	Cutting deck wheel sleeve pipe		2
4	R0202287-00	Cutting deck wheel		2
5	R0200523-00	Flange nut, M12		2
6	R0103046-00	42" Cutting Deck Weldment		1
7	R0200526-00	Cup head bolts - grade B, M8 \times 20		3
8	R0202289-00	Air Guide Housing		1
9	R0200548-00	Plain Washers, Φ 8		3
10	R0200569-00	Hexagon Nuts(With Non-Metallic Insert), style 2, M8		3
11	R0202290-00	Water Inlet and Outlet Connector Assembly		1
12	R0202291-00	Water Inlet and Outlet Connector		1
13	R0203283-00	O - Ring		1
14	R0202294-00	Hexagon flange head tapping screw, ST6.3*16		1
15	R0203282-00	Adaptor		1
16	R0201314-00	Nut, Clip-On M6		1
17	R0103203-00	Wire Clamp		1
18	R0200507-00	Bolt		1

DISCHARGE CHUTE

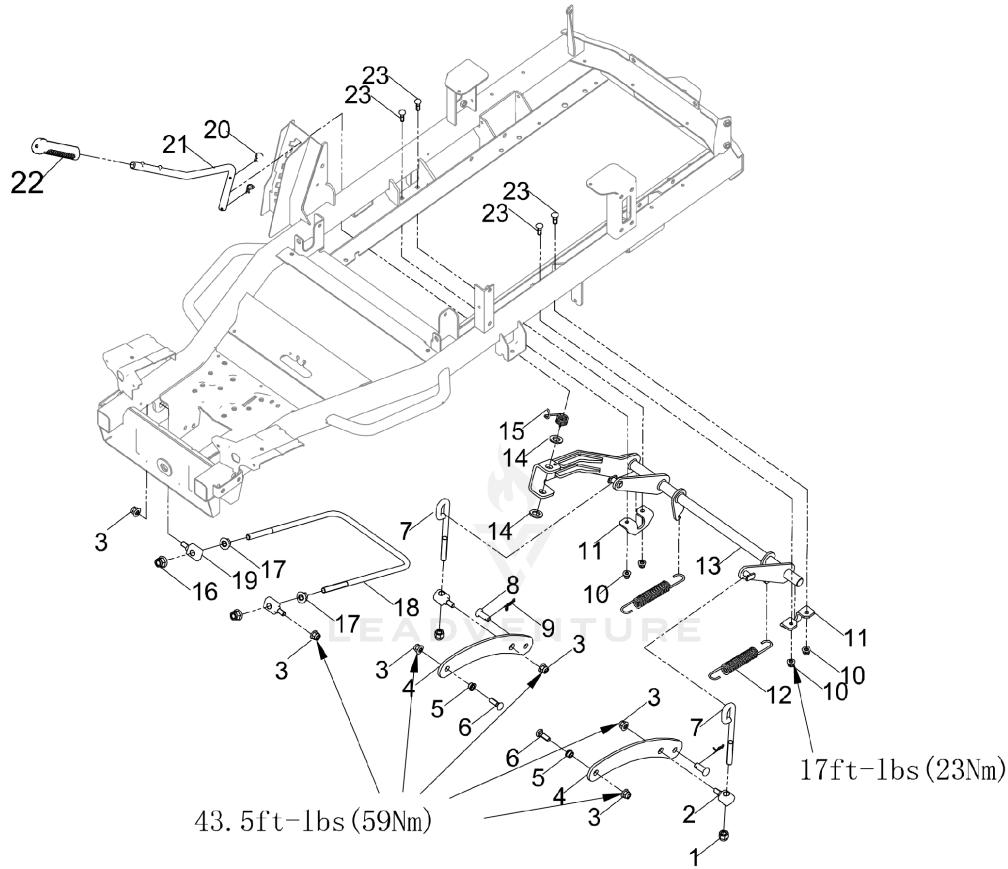


Rendered by LeadVenture, Inc.

DISCHARGE CHUTE

Ref Number	Part Number	Part Description	Context Notes	Quantity
1	R0200526-00	Cup head bolts - grade B,M8×20		3
2	R0202296-00	Fixed seat		1
3	R0201314-00	Nut, Clip-On M6		3
4	R0202297-00	Starlock washer		2
5	R0202298-00	Protective cover		1
6	R0202299-00	Customized bolt,M6x25		2
7	R0202300-00	Cup head bolts - grade B, M6X16		1
8	R0202301-00	Fixed seat		1
9	R0200548-00	Plain Washers,Φ8		3
10	R0200569-00	Hexagon Nuts(With Non-Metallic Insert),style 2, M8		3
11	R0200518-00	Lock nut M6		1
12	R0103047-00	Discharger Support Plate		1
13	R0202303-00	Starlock washer		1
14	R0202304-00	Torsion spring		1
15	R0202305-00	Straw discharge cover		1
16	R0202306-00	Fixed pin		1
17	R0200547-00	Plain washers-Product grade A, φ6		1

DECKLIFT ASSEMBLY



Rendered by LeadVenture, Inc.

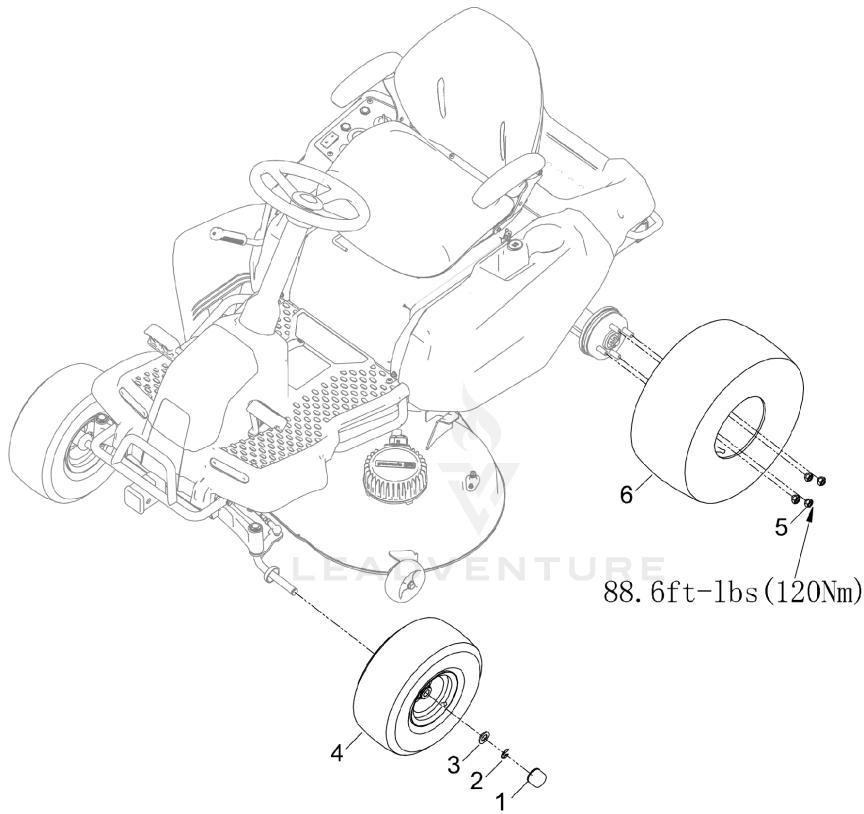
DECKLIFT ASSEMBLY

Ref Number	Part Number	Part Description	Context Notes	Quantity
1	R0200515-00	Hexagon Nuts, style 2, M12		2
2	R0202233-00	Side Pull Plate Pin		2
3	R0200521-00	Nut M10		6
4	R0202232-00	Side pull plate		2
5	R0201469-00	Axle tube		2
6	R0202231-00	Cup Head Bolts-Grade B,M10X1.5		2
7	R0202230-00	Height Adjustment Rod		2
8	R0202229-00	Pin shaft		2
9	R0201398-00	R Pin		2
10	R0200496-00	Hexagon Nuts(With Non-Metallic Insert), M8		4
11	R0201455-00	Fixed plate		2
12	R0203167-00	Extension spring		2
13	R0202227-00	Rear Height Adjustment Weldment		1
14	R0201475-00	Plain Washer		2
15	R0203168-00	Torsion spring		1
16	R0200369-00	Hexagon Nuts (Withnon-Metallic Insert), M12		2
17	R0200559-00	Hexagon nuts , M12		2
18	R0201470-00	Pull handle		1

Ref Number	Part Number	Part Description	Context Notes	Quantity
19	R0202225-00	Lock pin		2
20	R0201478-00	R Pin		2
21	R0202224-00	Height Adjustment Lever		1
22	R0202223-00	Height Adjustment Handle Sleeve		1
23	R0200528-00	Bolt		4

05 Drive System

WHEELS

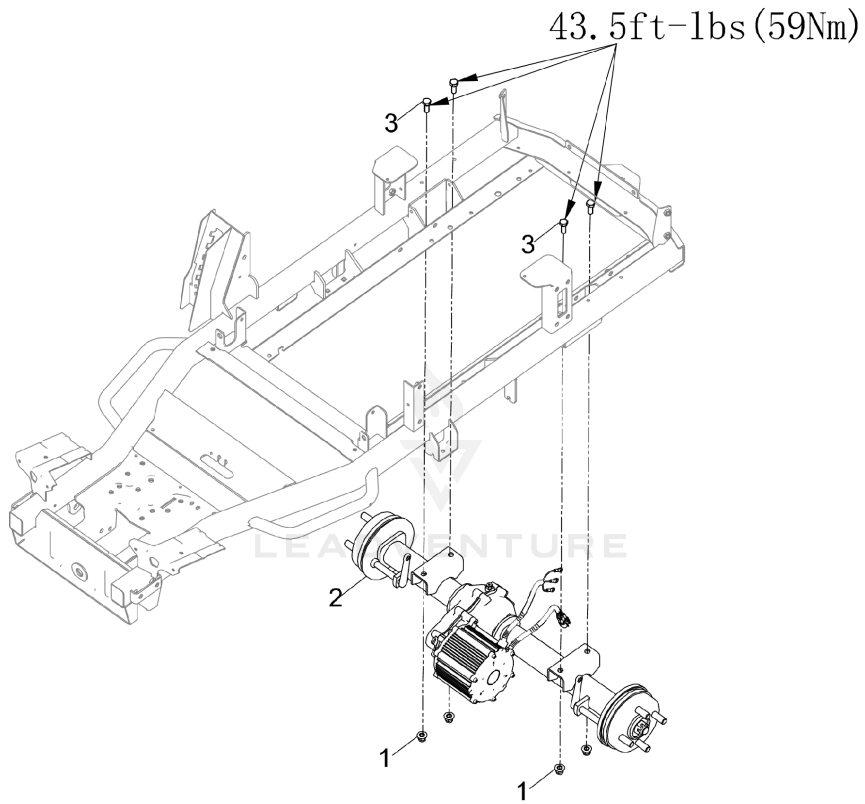


Rendered by LeadVenture, Inc.

WHEELS

Ref Number	Part Number	Part Description	Context Notes	Quantity
1	R0202035-00	Front wheel cover		2
2	R0202036-00	Retainer ring		2
3	R0202661-00	Washer		2
4	R0103048-00	Front Wheel		2
5	R0200368-00	Wheel fastening nut 1/2-20UNF		8
6	R0103049-00	Rear Wheel 20X10-8		2

DRIVE MOTOR-TRANSMISSION



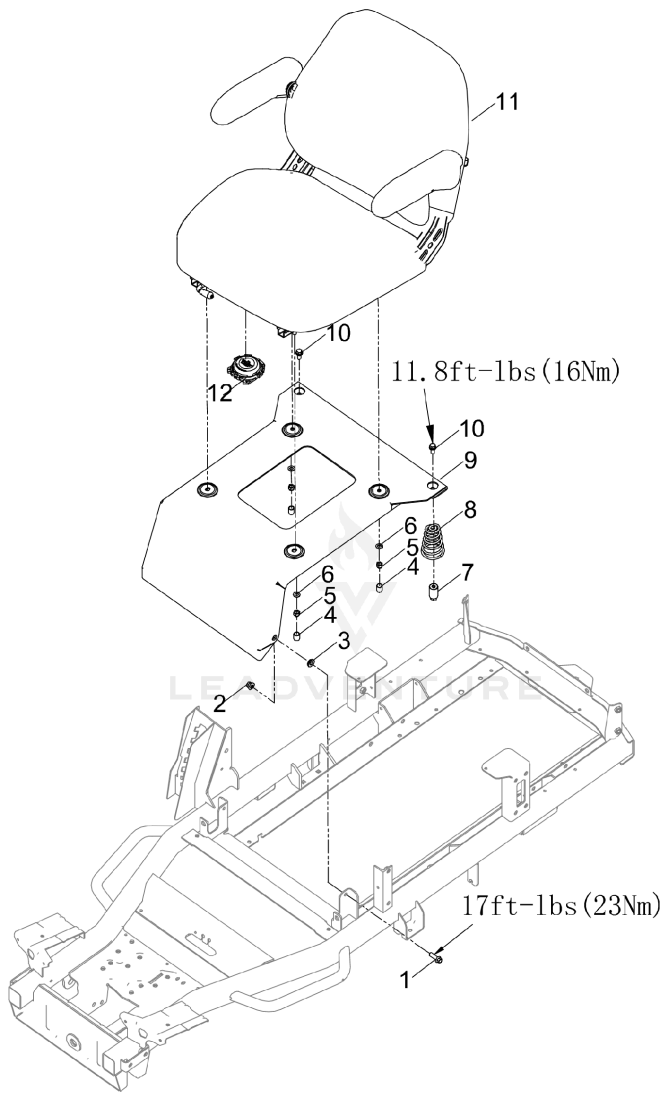
Rendered by LeadVenture, Inc.

DRIVE MOTOR-TRANSMISSION

Ref Number	Part Number	Part Description	Context Notes	Quantity
1	R0200521-00	Nut M10		4
2	R0103073-00	Motor Gearbox Assembly		1
3	R0200509-00	Hexagon Head Bolts,M10X25		4

06 Operator System

SEAT

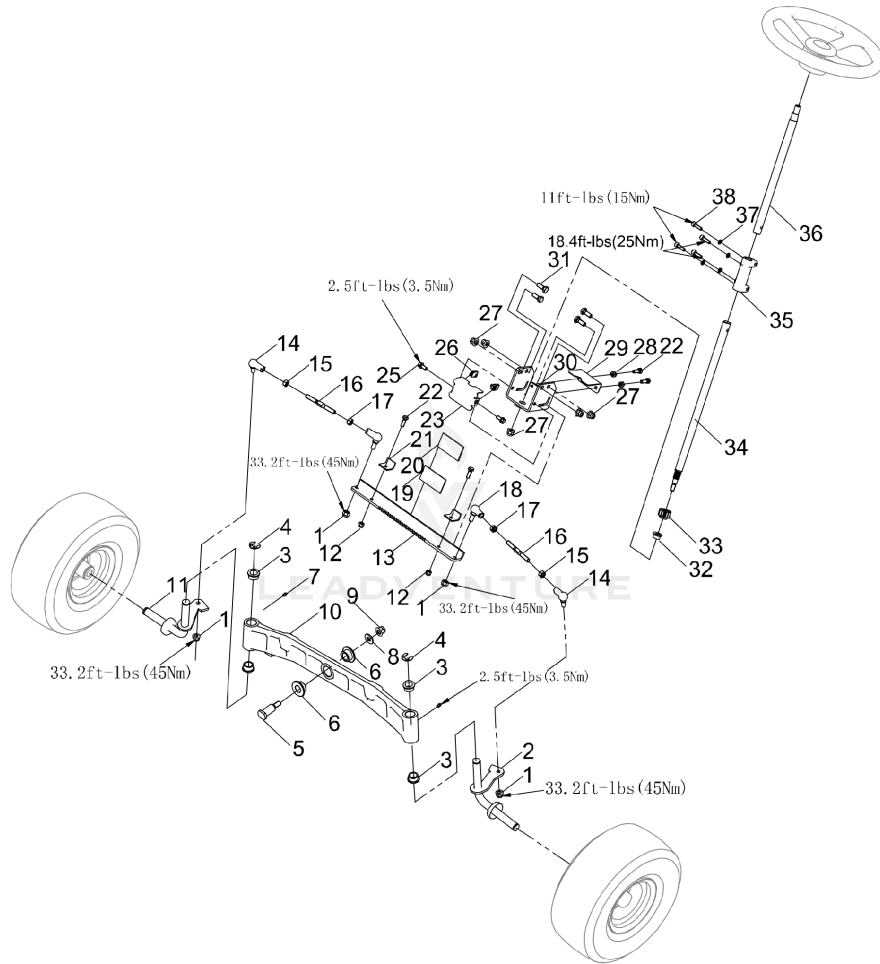


Rendered by LeadVenture, Inc.

SEAT

Ref Number	Part Number	Part Description	Context Notes	Quantity
1	R0200398-00	Bolt		2
2	R0200496-00	Hexagon Nuts(With Non-Metallic Insert), M8		2
3	R0201528-00	Sleeve		2
4	R0202186-00	Protective Sleeve		4
5	R0200571-00	Nut5/16-18		4
6	R0200548-00	Plain Washers,Φ8		4
7	R0202039-00	Limiting Displacement Bar		2
8	R0203169-00	Spring		2
9	R0103050-00	Fixed Plate Assembly		1
10	R0200534-00	Hexagon Bolt, M8×20		2
11	R0103051-00	Seat		1
12	R0102987-00	Seat Switch		1

STEERING ASSEMBLY



Rendered by LeadVenture, Inc.

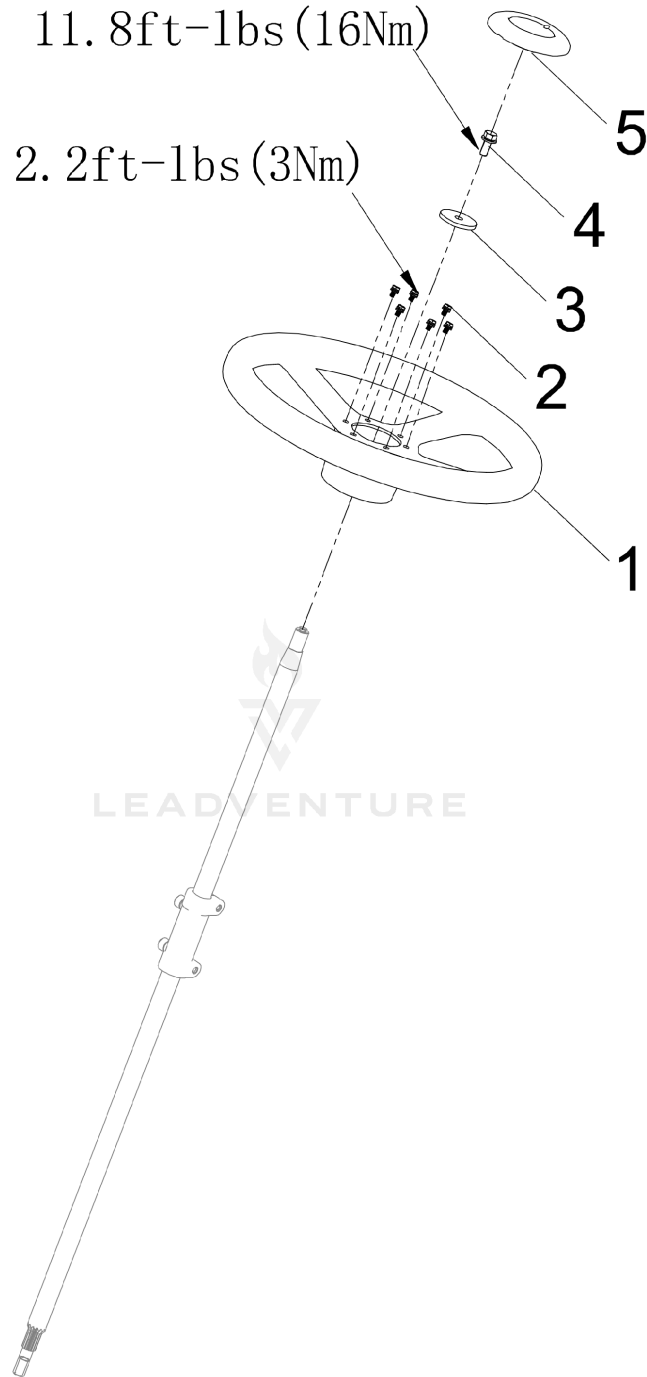
STEERING ASSEMBLY

Ref Number	Part Number	Part Description	Context Notes	Quantity
1	R0200557-00	Nut		4
2	R0202041-00	Left front wheel axle weldment		1
3	R0202042-00	Sleeve		4
4	R0202036-00	Retainer ring		2
5	R0202043-00	Shaft		1
6	R0103052-00	Copper Bush		2
7	R0200684-00	Grease Zerk Fitting M6		2
8	R0202045-00	Spacer washer		1
9	R0202690-00	Nut		1
10	R0103053-00	Front Beam		1
11	R0202691-00	Right front wheel axle weldment		1
12	R0200520-00	Hexagon Nuts, Style 2, M8		2
13	R0202051-00	Steering rack		1
14	R0202052-00	Steering ball head		2
15	R0200539-00	Nut		2
16	R0202053-00	Steering adjustment lever		2
17	R0202054-00	Nut		2
18	R0202055-00	Steering ball head		2

Ref Number	Part Number	Part Description	Context Notes	Quantity
19	R0202056-00	Pad		1
20	R0202057-00	Press plate		1
21	R0202058-00	Limit plate		2
22	R0200396-00	Bolt		4
23	R0203255-00	Dust cover		1
25	R0200384-00	Bolt and washer assembly M8 × 20		2
26	R0201314-00	Nut, Clip-On M6		2
27	R0200521-00	Nut M10		5
28	R0200513-00	Nut M8		2
29	R0202060-00	Baffle		1
30	R0103054-00	Gear Connection Fixed Seat		1
31	R0200509-00	Hexagon Head Bolts,M10X25		4
32	R0202062-00	Copper sleeve		1
33	R0202063-00	Steering gear		1
34	R0103055-00	Steering Column		1
35	R0202065-00	Aluminum jacket pipe		1
36	R0103056-00	Steering Column		1
37	R0200540-00	Washer		4

Ref Number	Part Number	Part Description	Context Notes	Quantity
38	R0203254-00	Screw		4

STEERING WHEEL

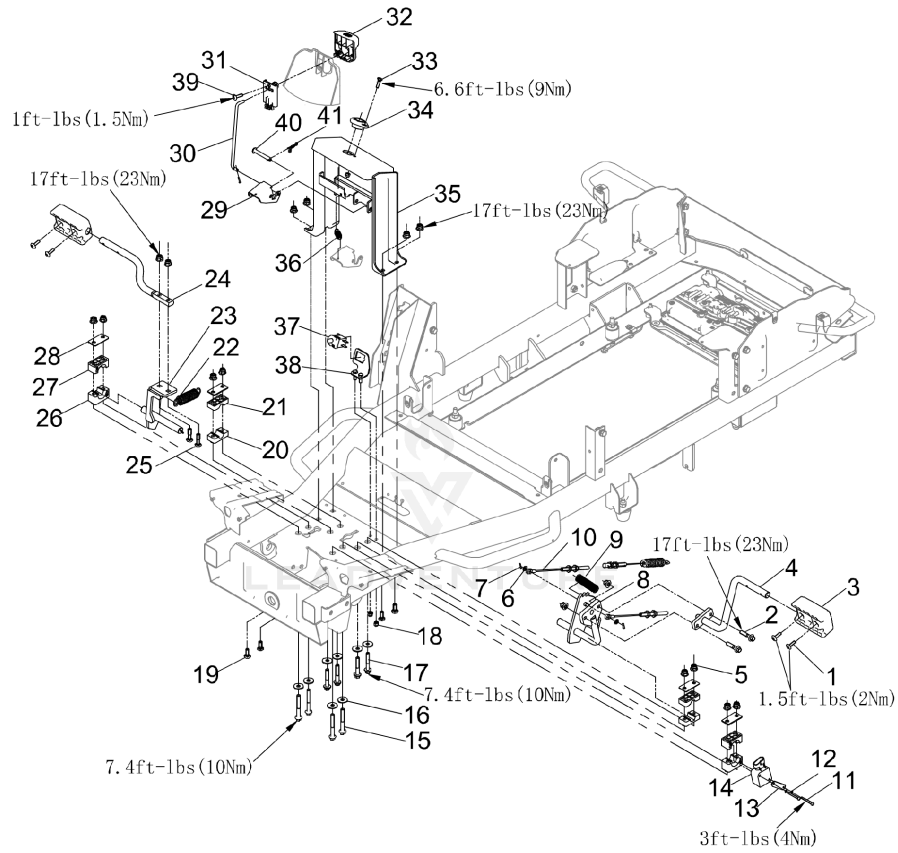


Rendered by LeadVenture, Inc.

STEERING WHEEL

Ref Number	Part Number	Part Description	Context Notes	Quantity
1	R0202068-00	Steering control assembly		1
2	R0203456-00	Bolt and washer assembly		6
3	R0202069-00	Washer		1
4	R0200534-00	Hexagon Bolt, M8×20		1
5	R0202070-00	Middle cover plate		1

PEDALS ASSEMBLY



Rendered by LeadVenture, Inc.

PEDALS ASSEMBLY

Ref Number	Part Number	Part Description	Context Notes	Quantity
1	R0201376-00	Pan Head Screw M6*20		4
2	R0200349-00	Hexagon Bolts With Flange,M8*35		2
3	R0202071-00	Pedal		2
4	R0103057-00	Brake Swing Arm		1
5	R0200496-00	Hexagon Nuts(With Non-Metallic Insert), M8		16
6	R0200547-00	Plain washers-Product grade A, $\phi 6$		2
7	R0202073-00	Split Pins		3
8	R0103058-00	Rear Rotating Shaft Weldment		1
9	R0202077-00	Brake Extension Spring		1
10	R0202074-00	Brake Cable		2
11	R0201539-00	Hexagon Socket Head Cap Screw M8X35		2
12	R0201540-00	Spring washer $\phi 4$		2
13	R0201541-00	Subplate		1
14	R0201542-00	Accelerator		1
15	R0200510-00	Bolt M8 \times 65		4
16	R0200541-00	Plain washers, Product grade A, $\phi 6$		8
17	RA32204688	Hexagon Bolts With Flange,M8*50		8
18	R0200518-00	Lock nut M6		3

Ref Number	Part Number	Part Description	Context Notes	Quantity
19	R0200526-00	Cup head bolts - grade B,M8×20		4
20	R0103059-00	Support Base		2
21	R0103060-00	Support Base		2
22	R0202080-00	Brake Extension Spring		1
23	R0103061-00	Pedal Weldment		1
24	R0103062-00	Front Pedal		1
25	R0200528-00	Bolt		2
26	R0103063-00	Base		2
27	R0103064-00	Coverplate		2
28	R0103065-00	Retaining Plate		4
29	R0103066-00	Limit Plate		1
30	R0103067-00	Pull handle		1
31	R0103068-00	Connector		1
32	R0103069-00	Parking Handle		1
33	R0200384-00	Bolt and washer assembly M8 × 20		1
34	R0202087-00	Nylon sleeve		1
35	R0103070-00	Fixed Bracket		1
36	R0103071-00	Spring		1

Ref Number	Part Number	Part Description	Context Notes	Quantity
37	R0200366-00	Switch (Brake,Seat)		1
38	R0103072-00	Switch Base		1
39	R0203426-00	Socket Pan Head Tapping Screws ST4X16		1
40	R0103426-00	Pin,φ8x50		1
41	R0201398-00	R Pin		1